



YongXing Terminal Blocks

目录

YA	NO.	YA321-500	YA321-100	YA331-500M	YA331-100M		
	Photo						
	Pitch.	5.00mm	10.00mm	5.00mm	10.00mm		
	Poles.	2 ~ 27poles	2 ~ 27poles	2 ~ 3poles	2 ~ 3poles		
	Approval.						
	Rating.	10Amp AC300V	10Amp AC300V	10Amp AC300V	10Amp AC300V		
Page.	10	10	11	11			







YB	NO.	YB312-500M	YB312-508M	YB312-762M	YB322-500M	YB322-508M	YB332V-350M
	Photo						
	Pitch.	5.00mm	5.08mm	7.62mm	5.00mm	5.08mm	3.50mm
	Poles.	2 ~ 3poles	2 ~ 3poles	2 ~ 3poles	2 ~ 3poles	2 ~ 3poles	2 ~ 3poles
	Approval.						
	Rating.	16Amp AC300V	16Amp AC300V	16Amp AC300V	16Amp AC300V	16Amp AC300V	10Amp AC300V
Page.	12	12	12	12	12	13	













YB332A-381M	YB332B-381M	YB362-381M	YB362-500M	YB362-508M	YB372-500M	YB372-508M
3.81mm	3.81mm	3.81mm	5.00mm	5.08mm	5.00mm	5.08mm
2 ~ 3poles	2 ~ 3poles	2 ~ 3poles	2 ~ 3poles	2 ~ 3poles	2 ~ 3poles	2 ~ 3poles
10Amp AC300V	10Amp AC300V	10Amp AC300V	16Amp AC300V	16Amp AC300V	16Amp AC300V	16Amp AC300V
13	14	14	15	15	15	15















YB422A-508M	YB422B-508M	YB432-508M	YB522-500	YB522-508	YB612-508M	YB622-508M
5.08mm	5.08mm	5.08mm	5.00mm	5.08mm	5.08mm	5.08mm
2 ~ 3poles	2 ~ 3poles	2 ~ 3poles	2 ~ 6poles	2 ~ 6poles	2 ~ 3poles	2 ~ 3poles
16Amp AC300V	16Amp AC300V	16Amp AC300V	16Amp AC300V	16Amp AC300V	16Amp AC300V	16Amp AC300V
16	16	17	17	17	18	18

















YongXing Terminal Blocks

YB912-635M	YB912-762M	YB912-952M				
						
6.35mm	7.62mm	9.52mm				
2 ~ 3poles	2 ~ 3poles	2 ~ 3poles				
						
30Amp AC300V	30Amp AC300V	30Amp AC300V				
19	19	20				

YC	NO.	YC420-350	YC420-381	YC421-350	YC421-381	YC060-350	YC060-381
	Photo						
	Pitch.	3.50mm	3.81mm	3.50mm	3.81mm	3.50mm	3.81mm
	Poles.	2 ~ 24poles	2 ~ 24poles	2 ~ 24poles	2 ~ 24poles	2 ~ 24poles	2 ~ 24poles
	Approval.						
	Rating.	10Amp AC300V	10Amp AC300V	10Amp AC300V	10Amp AC300V	10Amp AC300V	10Amp AC300V
	Page.	21	21	21	21	22	22

YC061-350	YC061-381	YC070-350	YC070-381	YC071-350	YC071-381	YC100-500
						
3.50mm	3.81mm	3.50mm	3.81mm	3.50mm	3.81mm	5.00mm
2 ~ 24poles	2 ~ 24poles	2 ~ 24poles	2 ~ 24poles	2 ~ 24poles	2 ~ 24poles	2 ~ 24poles
						
10Amp AC300V	10Amp AC300V	10Amp AC300V	10Amp AC300V	10Amp AC300V	10Amp AC300V	16Amp AC300V
22	22	23	23	23	23	24

YC100-508	YC101-500	YC101-508	YC010-500	YC010-508	YC011-500	YC011-508
						
5.08mm	5.00mm	5.08mm	5.00mm	5.08mm	5.00mm	5.08mm
2 ~ 24poles	2 ~ 24poles	2 ~ 24poles	2 ~ 24poles	2 ~ 24poles	2 ~ 24poles	2 ~ 24poles
						
16Amp AC300V	16Amp AC300V	16Amp AC300V	16Amp AC300V	16Amp AC300V	16Amp AC300V	16Amp AC300V
24	24	24	25	25	25	25



YongXing Terminal Blocks

YC020-500	YC020-508	YC021-500	YC021-508	YC030-508	YC031-508	YC040-508
5.00mm	5.08mm	5.00mm	5.08mm	5.08mm	5.08mm	5.08mm
2 ~ 24poles	2 ~ 24poles	2 ~ 24poles	2 ~ 24poles	2 ~ 24poles	2 ~ 24poles	2 ~ 24poles
16Amp AC300V	16Amp AC300V	16Amp AC300V	16Amp AC300V	16Amp AC300V	16Amp AC300V	16Amp AC300V
26	26	26	26	27	27	28

YC041-508	YC050-508	YC051-508				
5.08mm	5.08mm	5.08mm				
2 ~ 24poles	2 ~ 24poles	2 ~ 24poles				
16Amp AC300V	16Amp AC300V	16Amp AC300V				
28	29	29				

YE	NO.	YE010-500	YE010-508	YE020-500	YE020-508	YE030-500	YE030-508
	Photo						
	Pitch.	5.00mm	5.08mm	5.00mm	5.08mm	5.00mm	5.08mm
	Poles.	2 ~ 24poles	2 ~ 24poles	2 ~ 24poles	2 ~ 24poles	2 ~ 24poles	2 ~ 24poles
	Approval.						
	Rating.	16Amp AC300V	16Amp AC300V	16Amp AC300V	16Amp AC300V	16Amp AC300V	16Amp AC300V
Page.	30	30	30	30	31	31	

YE040-500	YE040-508	YE050-500	YE050-508	YE060-500	YE060-508	YE430-350
5.00mm	5.08mm	5.00mm	5.08mm	5.00mm	5.08mm	3.50mm
2 ~ 24poles	2 ~ 24poles	2 ~ 24poles	2 ~ 24poles	2 ~ 24poles	2 ~ 24poles	2 ~ 24poles
16Amp AC300V	16Amp AC300V	16Amp AC300V	16Amp AC300V	16Amp AC300V	16Amp AC300V	12Amp AC300V
31	31	32	32	32	32	33



YongXing Terminal Blocks

YE430-381	YE440-350	YE440-381	YE450-350	YE450-381	YE460-350	YE460-381
3.81mm	3.50mm	3.81mm	3.50mm	3.81mm	3.50mm	3.81mm
2 ~ 24poles	2 ~ 24poles	2 ~ 24poles	2 ~ 24poles	2 ~ 24poles	2 ~ 24poles	2 ~ 24poles
12Amp AC300V	12Amp AC300V	12Amp AC300V	12Amp AC300V	12Amp AC300V	12Amp AC300V	12Amp AC300V
33	33	33	34	34	34	34

YE110-500M	YE110-508M	YE120-500M	YE120-508M	YE130-500	YE130-508	YE13L-500M
5.00mm	5.08mm	5.00mm	5.08mm	5.00mm	5.08mm	5.00mm
2 ~ 3poles	2 ~ 3poles	2 ~ 3poles	2 ~ 3poles	2 ~ 24poles	2 ~ 24poles	2 ~ 3poles
16Amp AC300V	16Amp AC300V	16Amp AC300V	16Amp AC300V	16Amp AC300V	16Amp AC300V	16Amp AC300V
35	35	35	35	36	36	36

YE13L-508M	YE13R-500M	YE13R-508M	YE140-500	YE140-508	YE14L-500M	YE14L-508M
5.08mm	5.00mm	5.08mm	5.00mm	5.08mm	5.00mm	5.08mm
2 ~ 3poles	2 ~ 3poles	2 ~ 3poles	2 ~ 24poles	2 ~ 24poles	2 ~ 3poles	2 ~ 3poles
16Amp AC300V	16Amp AC300V	16Amp AC300V	16Amp AC300V	16Amp AC300V	16Amp AC300V	16Amp AC300V
36	37	37	37	37	38	38

YE14R-500M	YE14R-508M	YE150-500	YE150-508	YE160-500	YE160-508	YE210-500M
5.00mm	5.08mm	5.00mm	5.08mm	5.00mm	5.08mm	5.00mm
2 ~ 3poles	2 ~ 3poles	2 ~ 24poles	2 ~ 24poles	2 ~ 24poles	2 ~ 24poles	2 ~ 3poles
16Amp AC300V	16Amp AC300V	16Amp AC300V	16Amp AC300V	16Amp AC300V	16Amp AC300V	16Amp AC300V
38	38	39	39	39	39	40



YongXing Terminal Blocks

YE210-508M	YE220-500M	YE220-508M	YE230-500	YE230-508	YE23L-500M	YE23L-508M
5.08mm	5.00mm	5.08mm	5.00mm	5.08mm	5.00mm	5.08mm
2 ~ 3poles	2 ~ 3poles	2 ~ 3poles	2 ~ 24poles	2 ~ 24poles	2 ~ 3poles	2 ~ 3poles
16Amp AC300V	16Amp AC300V	16Amp AC300V	16Amp AC300V	16Amp AC300V	16Amp AC300V	16Amp AC300V
40	40	40	41	41	41	41

YE23R-500M	YE23R-508M	YE240-500	YE240-508	YE24L-500M	YE24L-508M	YE24R-500M
5.00mm	5.08mm	5.00mm	5.08mm	5.00mm	5.08mm	5.00mm
2 ~ 3poles	2 ~ 3poles	2 ~ 24poles	2 ~ 24poles	2 ~ 3poles	2 ~ 3poles	2 ~ 3poles
16Amp AC300V	16Amp AC300V	16Amp AC300V	16Amp AC300V	16Amp AC300V	16Amp AC300V	16Amp AC300V
42	42	42	42	43	43	43

YE24R-508M	YE250-500	YE250-508	YE260-500	YE260-508	YE330-508	YE350-508
5.08mm	5.00mm	5.08mm	5.00mm	5.08mm	5.08mm	5.08mm
2 ~ 3poles	2 ~ 24poles	2 ~ 24poles	2 ~ 24poles	2 ~ 24poles	2 ~ 24poles	2 ~ 24poles
16Amp AC300V	16Amp AC300V	16Amp AC300V	16Amp AC300V	16Amp AC300V	16Amp AC300V	16Amp AC300V
43	44	44	44	44	45	45

YE370-508	YE510-500	YE510-508	YE530-500	YE530-508	YE630-508	YE650-508
5.08mm	5.00mm	5.08mm	5.00mm	5.08mm	5.08mm	5.08mm
2 ~ 24poles	2 ~ 24poles	2 ~ 24poles	2 ~ 24poles	2 ~ 24poles	2 ~ 24poles	2 ~ 24poles
16Amp AC300V	16Amp AC300V	16Amp AC300V	16Amp AC300V	16Amp AC300V	16Amp AC300V	16Amp AC300V
46	46	46	47	47	47	48



YongXing Terminal Blocks

YE350KJ-508	YE860-508	CT-508	KT-508			
5.08mm	5.08mm					
2~24poles	2~24poles					
	16Amp AC300V					
48	49	49	49			

NO.	YX122-508	YX122-762	YX122-016	YX222-508	YX222-762	YX222-016
Photo						
Pitch.	5.08mm	7.62mm	10.16mm	5.08mm	7.62mm	10.16mm
Poles.	2~16poles	2~16poles	2~16poles	2~16poles	2~16poles	2~16poles
Approval.						
Rating.	10Amp AC300V	10Amp AC300V	10Amp AC300V	10Amp AC300V	10Amp AC300V	10Amp AC300V
Page.	50	50	51	51	52	52

Care clamp:Steel Ni plated 压线框：铁镀镍						
NO.	YB310-500M	YB310-508M	YB310-762M	YB320-500M	YB320-508M	YB360-500M
Photo						
Pitch.	5.00mm	5.08mm	7.62mm	5.00mm	5.08mm	5.00mm
Poles.	2~3poles	2~3poles	2~3poles	2~3poles	2~3poles	2~3poles
Approval.						
Rating.	16Amp AC300V	16Amp AC300V	16Amp AC300V	16Amp AC300V	16Amp AC300V	16Amp AC300V
Page.	12	12	12	12	12	15



YongXing Terminal Blocks

YB360-508M	YB370-500M	YB370-508M	YB420A-508M	YB420B-508M	YB430-508M	YB520-500M
5.08mm	5.00mm	5.08mm	5.08mm	5.08mm	5.08mm	5.00mm
2~3poles	2~3poles	2~3poles	2~3poles	2~3poles	2~3poles	2~6poles
16Amp AC300V	16Amp AC300V	16Amp AC300V	16Amp AC300V	16Amp AC300V	16Amp AC300V	16Amp AC300V
15	15	15	16	16	17	17

YB520-508M	YB610-508M	YB620-508M	YB910-635M	YB910-762M	YB910-952M	YC100S-500
5.08mm	5.08mm	5.08mm	6.35mm	7.62mm	9.52mm	5.00mm
2~6poles	2~3poles	2~3poles	2~3poles	2~3poles	2~3poles	2~24poles
16Amp AC300V	16Amp AC300V	16Amp AC300V	30Amp AC300V	30Amp AC300V	30Amp AC300V	16Amp AC300V
17	18	18	19	19	20	24

YC100S-508	YC101S-500	YC101S-508	YC010S-500	YC010S-508	YC011S-500	YC011S-508
5.08mm	5.00mm	5.08mm	5.00mm	5.08mm	5.00mm	5.08mm
2~24poles	2~24poles	2~24poles	2~24poles	2~24poles	2~24poles	2~24poles
16Amp AC300V	16Amp AC300V	16Amp AC300V	16Amp AC300V	16Amp AC300V	16Amp AC300V	16Amp AC300V
24	24	24	25	25	25	25

YC020S-500	YC020S-508	YC021S-500	YC021S-508			
5.00mm	5.08mm	5.00mm	5.08mm			
2~24poles	2~24poles	2~24poles	2~24poles			
16Amp AC300V	16Amp AC300V	16Amp AC300V	16Amp AC300V			
26	26	26	26			



YongXing Terminal Blocks

订购方式

HOW TO ORDER

螺钉式PCB接线端子 (弹片压线)

Y A

永星接线端子	压线方式	01	XX	X	XXX	XX	X	X	X	X
		02	序列号 No.	插脚形状 Contact Shape	间距 Pitch	极数 No. of pole	颜色 Color	客户需求 Customer Request		
03	...	方脚/黄铜镀锡/90° ...1	3.50mm ... 350	模组式/2P ... M2	1 灰色 Grey					
		圆脚/黄铜镀锡/90° ...2	3.81mm ... 381	模组式/3P ... M2	2 蓝色 Blue					
		方脚/黄铜镀锡/180° ...3	5.00mm ... 500	一体式/2P ... 02	3 黑色 Black					
		圆脚/黄铜镀锡/180° ...4	7.50mm ... 750	一体式/3P ... 03	4 绿色 Green					
			10.00mm ... 100	...	5 橙色 Orange					
				一体式/27P ... 27	6 红色 Red					
					7 黄色 Yellow					
					8 白色 White					



YA331 - 500M - 05 P - 4

螺钉式PCB接线端子 (压线框压线)

Y B

永星接线端子	压线方式	01	XX	X	XXX P	XX	X	X	X	X
		02	序列号 No.	压线框 Care clamp	间距 Pitch	极数 No. of pole	颜色 Color	客户需求 Customer Request		
03	...	钢 镀 锌 ... 0	3.50mm ... 350	模组式/2P ... M2	1 灰色 Grey					
		黄铜镀镍 ... 2	3.81mm ... 381	模组式/3P ... M2	2 蓝色 Blue					
			5.00mm ... 500	一体式/2P ... 02	3 黑色 Black					
			5.08mm ... 508	一体式/3P ... 03	4 绿色 Green					
			6.35mm ... 635	...	5 橙色 Orange					
			7.50mm ... 750	...	6 红色 Red					
			7.62mm ... 762	...	7 黄色 Yellow					
			9.52mm ... 952	一体式/24P ... 24	8 白色 White					
			10.00mm ... 100							
			10.16mm ... 016							



YB322 - 508 - 12 P - 4

插拔式接线端子 (插头)

Y C

永星接线端子	压线方式	01	XX	X	S	XXX	XX	X	X	X
		02	序列号 No.	法兰 Flange	压线框材质 Cage Clamp material	间距 Pitch	极数 No. of pole	颜色 Color	客户需求 Customer Request	
03	...	无发兰 ... 0	铁 ... S	3.50mm ... 350	一体式/2P ... 02	1 灰色 Grey				
		有发兰 ... 1	铜 ... (无)	3.81mm ... 381	一体式/3P ... 03	2 蓝色 Blue				
				5.00mm ... 500	...	3 黑色 Black				
				5.08mm ... 508	...	4 绿色 Green				
				6.35mm ... 635	...	5 橙色 Orange				
				7.50mm ... 750	...	6 红色 Red				
				7.62mm ... 762	...	7 黄色 Yellow				
				9.52mm ... 952	...	8 白色 White				
				10.00mm ... 100	一体式/24P ... 24					
				10.16mm ... 016						



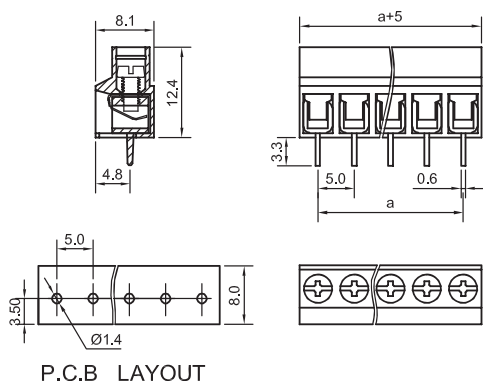
YC101 - 508 - 11 P - 4



YongXing Terminal Blocks



YA321-500



P.C.B LAYOUT

Pitch: 5.00mm
 Poles: 2~27 poles
 Approval:

材质及电镀

压线框: 黄铜镀锡
 弹片: 磷青铜镀镍
 塑件: PA66, UL94V-0
 螺丝: M2.5, 钢镀锌
 颜色: 绿色

Material

Cage clamp: Brass, Tin Plated
 Wire protector: Phosphor bronze Ni plated
 Housing: PA66, UL94V-0
 Screws: M2.5 steel Zinc plated
 Color: Green

工作环境

操作温度: -40° ~ +150°
 瞬间温度: +250° 5秒

Environmental

Operation temperature: -40° ~ +150°
 Short-time temperature: +250° for 5 sec

电气规格

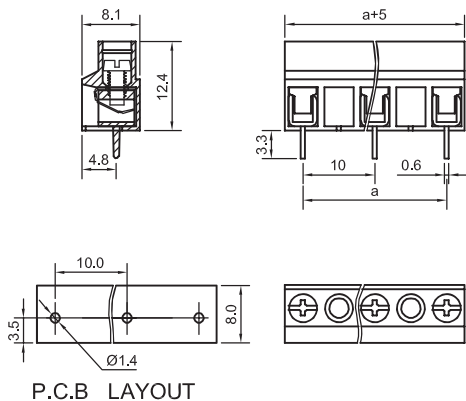
额定电压: 300V
 额定电流: 10A
 接触电阻: 20mΩ
 绝缘电阻: >5000MΩ DC500V
 耐电压: AC2000V/1Min
 使用线径: 26-14AWG 1.5mm²
 剥线长度: 6-7mm

Electrical

Rated voltage: 300V
 Rated current: 10A
 Contact resistance: 20mΩ
 Insulation resistance: >5000MΩ DC500V
 Withstanding voltage: AC2000V/1Min
 Wire range: 26-14AWG 1.5mm²
 Strip length: 6-7mm



YA321-100



P.C.B LAYOUT

Pitch: 10.0mm
 Poles: 2~27 poles
 Approval:

材质及电镀

压线框: 黄铜镀锡
 弹片: 磷青铜镀镍
 塑件: PA66, UL94V-0
 螺丝: M2.5, 钢镀锌
 颜色: 绿色

Material

Cage clamp: Brass, Tin Plated
 Wire protector: Phosphor bronze Ni plated
 Housing: PA66, UL94V-0
 Screws: M2.5 steel Zinc plated
 Color: Green

工作环境

操作温度: -40° ~ +150°
 瞬间温度: +250° 5秒

Environmental

Operation temperature: -40° ~ +150°
 Short-time temperature: +250° for 5 sec

电气规格

额定电压: 300V
 额定电流: 10A
 接触电阻: 20mΩ
 绝缘电阻: >5000MΩ DC500V
 耐电压: AC2000V/1Min
 使用线径: 26-14AWG 1.5mm²
 剥线长度: 6-7mm

Electrical

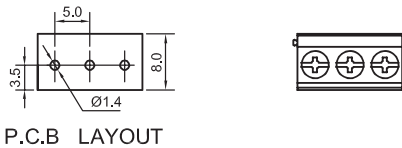
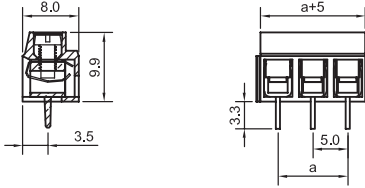
Rated voltage: 300V
 Rated current: 10A
 Contact resistance: 20mΩ
 Insulation resistance: >5000MΩ DC500V
 Withstanding voltage: AC2000V/1Min
 Wire range: 26-14AWG 1.5mm²
 Strip length: 6-7mm



YongXing Terminal Blocks



YA331-500M



P.C.B LAYOUT

Pitch:5.00mm
Poles: 2~3 poles
Approval:

材质及电镀

压线框: 黄铜镀锡
弹片: 磷青铜镀镍
塑件: PA66, UL94V-0
螺丝: M2.5, 钢镀锌
颜色: 绿色

Material

Care clamp : Brass,Tin Plated
Wire protector : Phosphor bronze Ni plated
Housing : PA66, UL94V-0
Screws : M2.5steel Zinc plated
Color : Green

工作环境

操作温度: -40° ~+150°
瞬间温度: +250° 5秒

Environmental

Operation temperature : -40° ~+150°
Short-time temperature: +250° for 5 sec

电气规格

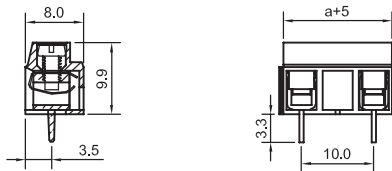
额定电压: 300V
额定电流: 10A
接触电阻: 20mΩ
绝缘电阻: >5000MΩ DC500V
耐电压: AC2000V/1Min
使用线径: 26-14AWG 1.5mm²
剥线长度: 6-7mm

Electrical

Rated voltage : 300V
Rated current : 10A
Contact resistance : 20mΩ
Insulationt resistance : >5000MΩ DC500V
Withstanding voltage : AC2000V/1Min
Wire range : 26-14AWG 1.5mm²
Strip lengthh : 6-7mm



YA331-100M



P.C.B LAYOUT

Pitch:10.0mm
Poles: 2~3 poles
Approval:

材质及电镀

压线框: 黄铜镀锡
弹片: 磷青铜镀镍
塑件: PA66, UL94V-0
螺丝: M2.5, 钢镀锌
颜色: 绿色

Material

Care clamp : Brass,Tin Plated
Wire protector : Phosphor bronze Ni plated
Housing : PA66, UL94V-0
Screws : M2.5steel Zinc plated
Color : Green

工作环境

操作温度: -40° ~+150°
瞬间温度: +250° 5秒

Environmental

Operation temperature : -40° ~+150°
Short-time temperature: +250° for 5 sec

电气规格

额定电压: 300V
额定电流: 10A
接触电阻: 20mΩ
绝缘电阻: >5000MΩ DC500V
耐电压: AC2000V/1Min
使用线径: 26-14AWG 1.5mm²
剥线长度: 6-7mm

Electrical

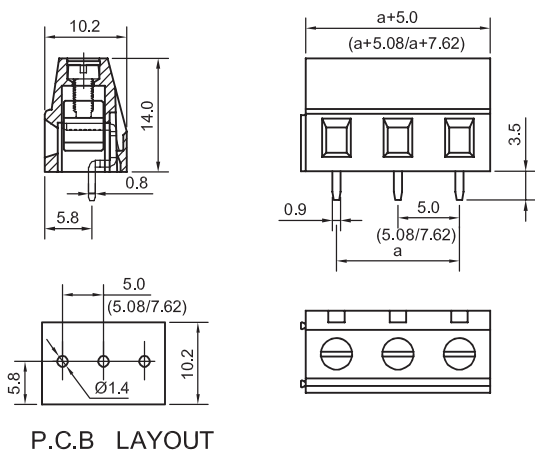
Rated voltage : 300V
Rated current : 10A
Contact resistance : 20mΩ
Insulationt resistance : >5000MΩ DC500V
Withstanding voltage : AC2000V/1Min
Wire range : 26-14AWG 1.5mm²
Strip lengthh : 6-7mm



YongXing Terminal Blocks



YB312-500M
YB312-508M/YB312-762M



Pitch: 5.00mm; 5.08mm; 7.62mm

Poles: 2~3 poles

Approval:

材质及电镀 Material

压线框: 黄铜镀镍	Care clamp : Brass, Ni Plated
插脚: 黄铜镀锡	Contact : Brass, Tin Plated
塑件: PA66, UL94V-0	Housing : PA66, UL94V-0
螺丝: M2.5, 钢镀锌	Screws : M2.5 steel Zinc plated
颜色: 绿色	Color : Green

工作环境 Environmental

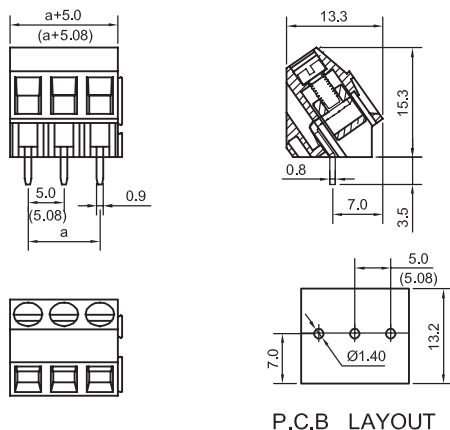
操作温度: -40° ~ $+150^{\circ}$	Operation temperature : -40° ~ $+150^{\circ}$
瞬间温度: $+250^{\circ}$ 5秒	Short-time temperature: $+250^{\circ}$ for 5 sec

电气规格 Electrical

额定电压: 300V	Rated voltage : 300V
额定电流: 16A	Rated current : 16A
接触电阻: 20m Ω	Contact resistance : 20m Ω
绝缘电阻: $>5000M\Omega$ DC500V	Insulation resistance : $>5000M\Omega$ DC500V
耐电压: AC2000V/1Min	Withstanding voltage : AC2000V/1Min
使用线径: 24-12AWG 2.5mm ²	Wire range : 24-12AWG 2.5mm ²
剥线长度: 6-7mm	Strip length : 6-7mm



YB322-500M/YB322-508M



Pitch: 5.00mm; 5.08mm

Poles: 2~3 poles

Approval:

材质及电镀 Material

压线框: 黄铜镀镍	Care clamp : Brass, Ni Plated
插脚: 黄铜镀锡	Contact : Brass, Tin Plated
塑件: PA66, UL94V-0	Housing : PA66, UL94V-0
螺丝: M2.5, 钢镀锌	Screws : M2.5 steel Zinc plated
颜色: 绿色	Color : Green

工作环境 Environmental

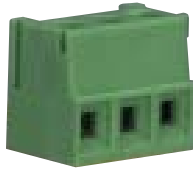
操作温度: -40° ~ $+150^{\circ}$	Operation temperature : -40° ~ $+150^{\circ}$
瞬间温度: $+250^{\circ}$ 5秒	Short-time temperature: $+250^{\circ}$ for 5 sec

电气规格 Electrical

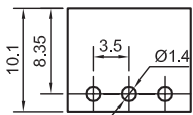
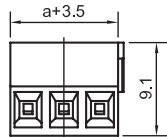
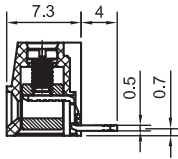
额定电压: 300V	Rated voltage : 300V
额定电流: 16A	Rated current : 16A
接触电阻: 20m Ω	Contact resistance : 20m Ω
绝缘电阻: $>5000M\Omega$ DC500V	Insulation resistance : $>5000M\Omega$ DC500V
耐电压: AC2000V/1Min	Withstanding voltage : AC2000V/1Min
使用线径: 24-12AWG 2.5mm ²	Wire range : 24-12AWG 2.5mm ²
剥线长度: 6-7mm	Strip length : 6-7mm



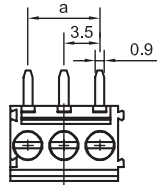
YongXing Terminal Blocks



YB332V-350M



P.C.B LAYOUT



Pitch:3.50mm
Poles: 2~3 poles
Approval:

材质及电镀

压线框: 黄铜镀镍
插脚: 黄铜镀锡
塑件: PA66, UL94V-0
螺丝: M2.0, 钢镀锌
颜色: 绿色

Material

Care clamp : Brass, Ni Plated
Contact : Brass, Tin Plated
Housing : PA66, UL94V-0
Screws : M2.0 steel Zinc plated
Color : Green

工作环境

操作温度: -40° ~+150°
瞬间温度: +250° 5秒

Environmental

Operation temperature : -40° ~+150°
Short-time temperature: +250° for 5 sec

电气规格

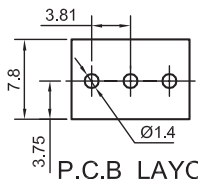
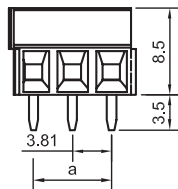
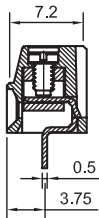
额定电压: 300V
额定电流: 10A
接触电阻: 20mΩ
绝缘电阻: >5000MΩ DC500V
耐电压: AC2000V/1Min
使用线径: 28-14AWG 1.5mm²
剥线长度: 6-7mm

Electrical

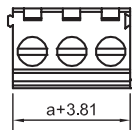
Rated voltage : 300V
Rated current : 10A
Contact resistance : 20mΩ
Insulation resistance : >5000MΩ DC500V
Withstanding voltage : AC2000V/1Min
Wire range : 28-14AWG 1.5mm²
Strip length : 6-7mm



YB332A-381M



P.C.B LAYOUT



Pitch:3.81mm
Poles: 2~3 poles
Approval:

材质及电镀

压线框: 黄铜镀镍
插脚: 黄铜镀锡
塑件: PA66, UL94V-0
螺丝: M2.0, 钢镀锌
颜色: 绿色

Material

Care clamp : Brass, Ni Plated
Contact : Brass, Tin Plated
Housing : PA66, UL94V-0
Screws : M2.0 steel Zinc plated
Color : Green

工作环境

操作温度: -40° ~+150°
瞬间温度: +250° 5秒

Environmental

Operation temperature : -40° ~+150°
Short-time temperature: +250° for 5 sec

电气规格

额定电压: 300V
额定电流: 10A
接触电阻: 20mΩ
绝缘电阻: >5000MΩ DC500V
耐电压: AC2000V/1Min
使用线径: 28-14AWG 1.5mm²
剥线长度: 6-7mm

Electrical

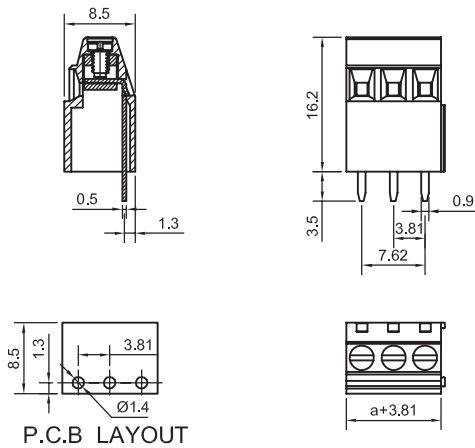
Rated voltage : 300V
Rated current : 10A
Contact resistance : 20mΩ
Insulation resistance : >5000MΩ DC500V
Withstanding voltage : AC2000V/1Min
Wire range : 28-14AWG 1.5mm²
Strip length : 6-7mm



YongXing Terminal Blocks



YB332B-381M



Pitch:3.81mm
Poles: 2~3 poles
Approval:

材质及电镀

压线框: 黄铜镀镍
插脚: 黄铜镀锡
塑件: PA66, UL94V-0
螺丝: M2.0, 钢镀锌
颜色: 绿色

Material

Care clamp : Brass, Ni Plated
Contact : Brass, Tin Plated
Housing : PA66, UL94V-0
Screws : M2.0 steel Zinc plated
Color : Green

工作环境

操作温度: -40° ~ $+150^{\circ}$
瞬间温度: $+250^{\circ}$ 5秒

Environmental

Operation temperature : -40° ~ $+150^{\circ}$
Short-time temperature: $+250^{\circ}$ for 5 sec

电气规格

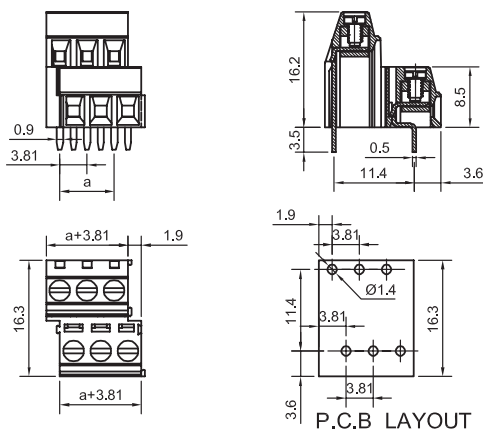
额定电压: 300V
额定电流: 10A
接触电阻: 20m Ω
绝缘电阻: $>5000M\Omega$ DC500V
耐电压: AC2000V/1Min
使用线径: 28-14AWG 1.5mm²
剥线长度: 6-7mm

Electrical

Rated voltage : 300V
Rated current : 10A
Contact resistance : 20m Ω
Insulation resistance : $>5000M\Omega$ DC500V
Withstanding voltage : AC2000V/1Min
Wire range : 28-14AWG 1.5mm²
Strip length : 6-7mm



YB362-381M



Pitch:3.81mm
Poles: 2~3 poles
Approval:

材质及电镀

压线框: 黄铜镀镍
插脚: 黄铜镀锡
塑件: PA66, UL94V-0
螺丝: M2.0, 钢镀锌
颜色: 绿色

Material

Care clamp : Brass, Ni Plated
Contact : Brass, Tin Plated
Housing : PA66, UL94V-0
Screws : M2.0 steel Zinc plated
Color : Green

工作环境

操作温度: -40° ~ $+150^{\circ}$
瞬间温度: $+250^{\circ}$ 5秒

Environmental

Operation temperature : -40° ~ $+150^{\circ}$
Short-time temperature: $+250^{\circ}$ for 5 sec

电气规格

额定电压: 300V
额定电流: 10A
接触电阻: 20m Ω
绝缘电阻: $>5000M\Omega$ DC500V
耐电压: AC2000V/1Min
使用线径: 28-14AWG 1.5mm²
剥线长度: 6-7mm

Electrical

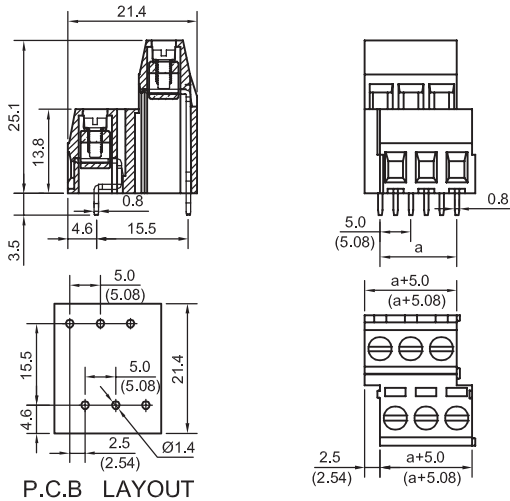
Rated voltage : 300V
Rated current : 10A
Contact resistance : 20m Ω
Insulation resistance : $>5000M\Omega$ DC500V
Withstanding voltage : AC2000V/1Min
Wire range : 28-14AWG 1.5mm²
Strip length : 6-7mm



YongXing Terminal Blocks



YB362-500M/YB362-508M



Pitch: 5.00mm; 5.08mm
 Poles: 2~3 poles
 Approval:

材质及电镀

压线框: 黄铜镀镍
 插脚: 黄铜镀锡
 塑件: PA66, UL94V-0
 螺丝: M2.5, 钢镀锌
 颜色: 绿色

Material

Care clamp : Brass, Ni Plated
 Contact : Brass, Tin Plated
 Housing : PA66, UL94V-0
 Screws : M2.5 steel Zinc plated
 Color : Green

工作环境

操作温度: -40° ~ +150°
 瞬间温度: +250° 5秒

Environmental

Operation temperature : -40° ~ +150°
 Short-time temperature : +250° for 5 sec

电气规格

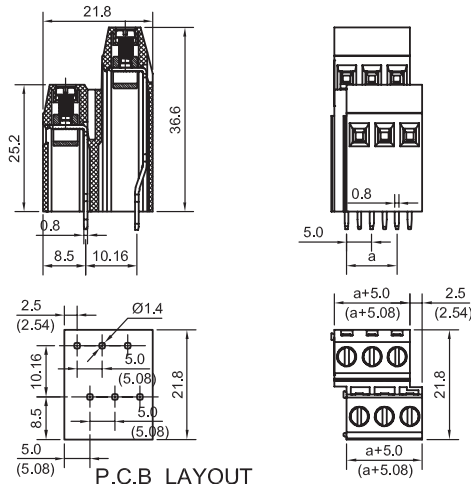
额定电压: 300V
 额定电流: 16A
 接触电阻: 20mΩ
 绝缘电阻: >5000MΩ DC500V
 耐电压: AC2000V/1Min
 使用线径: 24-12AWG 2.5mm²
 剥线长度: 6-7mm

Electrical

Rated voltage : 300V
 Rated current : 16A
 Contact resistance : 20mΩ
 Insulation resistance : >5000MΩ DC500V
 Withstanding voltage : AC2000V/1Min
 Wire range : 24-12AWG 2.5mm²
 Strip length : 6-7mm



YB372-500M/YB372-508M



Pitch: 5.00mm; 5.08mm
 Poles: 2~3 poles
 Approval:

材质及电镀

压线框: 黄铜镀镍
 插脚: 黄铜镀锡
 塑件: PA66, UL94V-0
 螺丝: M2.5, 钢镀锌
 颜色: 绿色

Material

Care clamp : Brass, Ni Plated
 Contact : Brass, Tin Plated
 Housing : PA66, UL94V-0
 Screws : M2.5 steel Zinc plated
 Color : Green

工作环境

操作温度: -40° ~ +150°
 瞬间温度: +250° 5秒

Environmental

Operation temperature : -40° ~ +150°
 Short-time temperature : +250° for 5 sec

电气规格

额定电压: 300V
 额定电流: 16A
 接触电阻: 20mΩ
 绝缘电阻: >5000MΩ DC500V
 耐电压: AC2000V/1Min
 使用线径: 24-12AWG 2.5mm²
 剥线长度: 6-7mm

Electrical

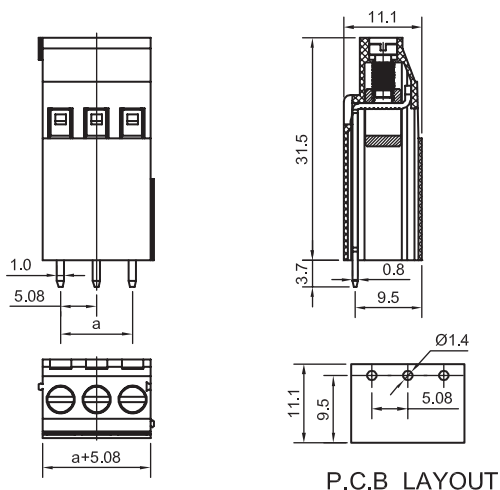
Rated voltage : 300V
 Rated current : 16A
 Contact resistance : 20mΩ
 Insulation resistance : >5000MΩ DC500V
 Withstanding voltage : AC2000V/1Min
 Wire range : 24-12AWG 2.5mm²
 Strip length : 6-7mm



YongXing Terminal Blocks



YB422A-508M



P.C.B LAYOUT

Pitch:5.08mm
Poles: 2~3 poles
Approval:

材质及电镀

压线框: 黄铜镀镍
插脚: 黄铜镀锡
塑件: PA66, UL94V-0
螺丝: M2.5, 钢镀锌
颜色: 绿色

Material

Wire clamp : Brass, Ni Plated
Contact : Brass, Tin Plated
Housing : PA66, UL94V-0
Screws : M2.5 steel Zinc plated
Color : Green

工作环境

操作温度: -40° ~+150°
瞬间温度: +250° 5秒

Environmental

Operation temperature : -40° ~+150°
Short-time temperature : +250° for 5 sec

电气规格

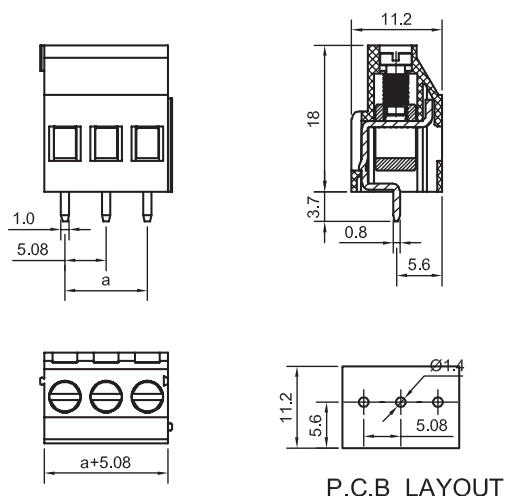
额定电压: 300V
额定电流: 16A
接触电阻: 20mΩ
绝缘电阻: >5000MΩ DC500V
耐电压: AC2000V/1Min
使用线径: 24-12AWG 2.5mm²
剥线长度: 6-7mm

Electrical

Rated voltage : 300V
Rated current : 16A
Contact resistance : 20mΩ
Insulation resistance : >5000MΩ DC500V
Withstanding voltage : AC2000V/1Min
Wire range : 24-12AWG 2.5mm²
Strip length : 6-7mm



YB422B-508M



P.C.B LAYOUT

Pitch:5.08mm
Poles: 2~3 poles
Approval:

材质及电镀

压线框: 黄铜镀镍
插脚: 黄铜镀锡
塑件: PA66, UL94V-0
螺丝: M2.5, 钢镀锌
颜色: 绿色

Material

Wire clamp : Brass, Ni Plated
Contact : Brass, Tin Plated
Housing : PA66, UL94V-0
Screws : M2.5 steel Zinc plated
Color : Green

工作环境

操作温度: -40° ~+150°
瞬间温度: +250° 5秒

Environmental

Operation temperature : -40° ~+150°
Short-time temperature : +250° for 5 sec

电气规格

额定电压: 300V
额定电流: 16A
接触电阻: 20mΩ
绝缘电阻: >5000MΩ DC500V
耐电压: AC2000V/1Min
使用线径: 24-12AWG 2.5mm²
剥线长度: 6-7mm

Electrical

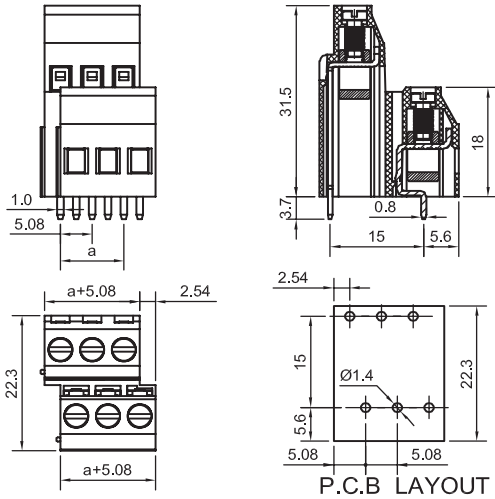
Rated voltage : 300V
Rated current : 16A
Contact resistance : 20mΩ
Insulation resistance : >5000MΩ DC500V
Withstanding voltage : AC2000V/1Min
Wire range : 24-12AWG 2.5mm²
Strip length : 6-7mm



YongXing Terminal Blocks



YB432-508M



Pitch: 5.08mm
Poles: 2~3 poles
Approval:

材质及电镀

压线框: 黄铜镀镍
插脚: 黄铜镀锡
塑件: PA66, UL94V-0
螺丝: M2.5, 钢镀锌
颜色: 绿色

Material

Care clamp : Brass, Ni Plated
Contact : Brass, Tin Plated
Housing : PA66, UL94V-0
Screws : M2.5 steel Zinc plated
Color : Green

工作环境

操作温度: -40° ~ +150°
瞬间温度: +250° 5秒

Environmental

Operation temperature : -40° ~ +150°
Short-time temperature : +250° for 5 sec

电气规格

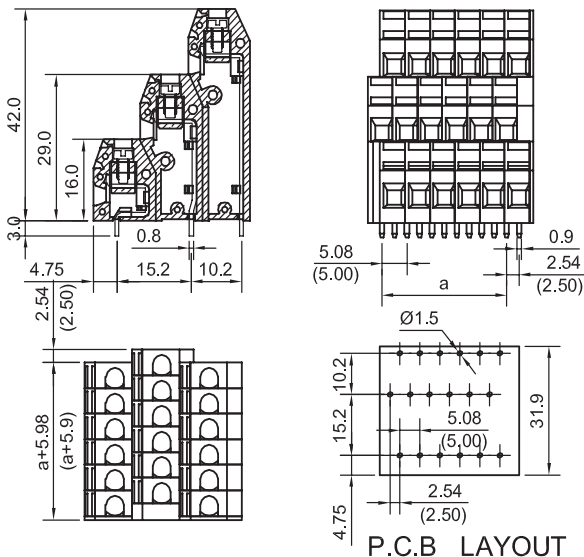
额定电压: 300V
额定电流: 16A
接触电阻: 20mΩ
绝缘电阻: >5000MΩ DC500V
耐电压: AC2000V/1Min
使用线径: 24-12AWG 2.5mm²
剥线长度: 6-7mm

Electrical

Rated voltage : 300V
Rated current : 16A
Contact resistance : 20mΩ
Insulation resistance : >5000MΩ DC500V
Withstanding voltage : AC2000V/1Min
Wire range : 24-12AWG 2.5mm²
Strip length : 6-7mm



YB522-500/YB522-508



Pitch: 5.00mm; 5.08mm
Poles: 2~6 poles
Approval:

材质及电镀

压线框: 黄铜镀镍
插脚: 黄铜镀锡
塑件: PA66, UL94V-0
螺丝: M2.5, 钢镀锌
颜色: 绿色

Material

Care clamp : Brass, Ni Plated
Contact : Brass, Tin Plated
Housing : PA66, UL94V-0
Screws : M2.5 steel Zinc plated
Color : Green

工作环境

操作温度: -40° ~ +150°
瞬间温度: +250° 5秒

Environmental

Operation temperature : -40° ~ +150°
Short-time temperature : +250° for 5 sec

电气规格

额定电压: 300V
额定电流: 16A
接触电阻: 20mΩ
绝缘电阻: >5000MΩ DC500V
耐电压: AC2000V/1Min
使用线径: 24-12AWG 2.5mm²
剥线长度: 6-7mm

Electrical

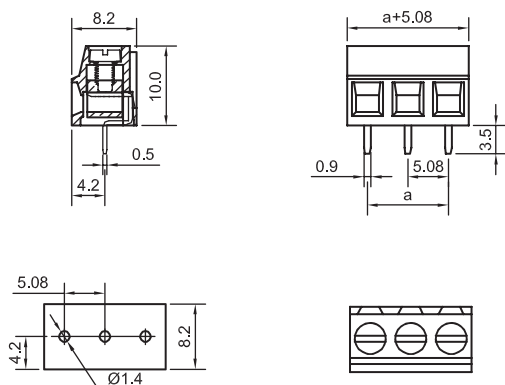
Rated voltage : 300V
Rated current : 16A
Contact resistance : 20mΩ
Insulation resistance : >5000MΩ DC500V
Withstanding voltage : AC2000V/1Min
Wire range : 24-12AWG 2.5mm²
Strip length : 6-7mm



YongXing Terminal Blocks



YB612-508M



P.C.B LAYOUT

Pitch:5.08mm
Poles: 2~3 poles
Approval:

材质及电镀

压线框: 黄铜镀镍
插脚: 黄铜镀锡
塑件: PA66, UL94V-0
螺丝: M2.5, 钢镀锌
颜色: 绿色

Material

Case clamp : Brass, Ni Plated
Contact : Brass, Tin Plated
Housing : PA66, UL94V-0
Screws : M2.5 steel Zinc plated
Color : Green

工作环境

操作温度: -40° ~ +150°
瞬间温度: +250° 5秒

Environmental

Operation temperature : -40° ~ +150°
Short-time temperature: +250° for 5 sec

电气规格

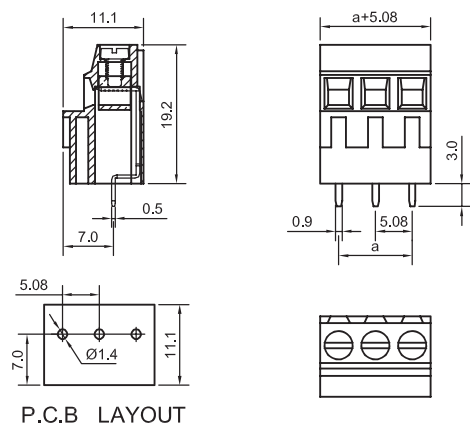
额定电压: 300V
额定电流: 16A
接触电阻: 20mΩ
绝缘电阻: >5000MΩ DC500V
耐电压: AC2000V/1Min
使用线径: 24-12AWG 2.5mm²
剥线长度: 6-7mm

Electrical

Rated voltage : 300V
Rated current : 16A
Contact resistance : 20mΩ
Insulation resistance : >5000MΩ DC500V
Withstanding voltage : AC2000V/1Min
Wire range : 24-12AWG 2.5mm²
Strip length : 6-7mm



YB622-508M



P.C.B LAYOUT

Pitch:5.08mm
Poles: 2~3poles
Approval:

材质及电镀

压线框: 黄铜镀镍
插脚: 黄铜镀锡
塑件: PA66, UL94V-0
螺丝: M2.5, 钢镀锌
颜色: 绿色

Material

Case clamp : Brass, Ni Plated
Contact : Brass, Tin Plated
Housing : PA66, UL94V-0
Screws : M2.5 steel Zinc plated
Color : Green

工作环境

操作温度: -40° ~ +150°
瞬间温度: +250° 5秒

Environmental

Operation temperature : -40° ~ +150°
Short-time temperature: +250° for 5 sec

电气规格

额定电压: 300V
额定电流: 16A
接触电阻: 20mΩ
绝缘电阻: >5000MΩ DC500V
耐电压: AC2000V/1Min
使用线径: 24-12AWG 2.5mm²
剥线长度: 6-7mm

Electrical

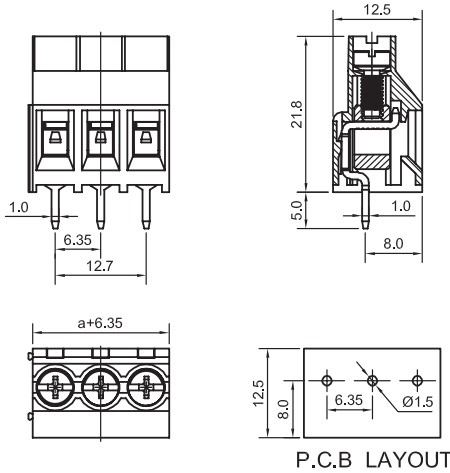
Rated voltage : 300V
Rated current : 16A
Contact resistance : 20mΩ
Insulation resistance : >5000MΩ DC500V
Withstanding voltage : AC2000V/1Min
Wire range : 24-12AWG 2.5mm²
Strip length : 6-7mm



YongXing Terminal Blocks



YB912-635M



P.C.B LAYOUT

Pitch:6.35mm
Poles: 2~3 poles
Approval:

材质及电镀

压线框: 黄铜镀镍
插脚: 黄铜镀锡
塑件: PA66, UL94V-0
螺丝: M3, 钢镀锌
颜色: 绿色

Material

Care clamp : Brass, Ni Plated
Contact : Brass, Tin Plated
Housing : PA66, UL94V-0
Screws : M3 steel Zinc plated
Color : Green

工作环境

操作温度: -40° ~ +150°
瞬间温度: +250° 5秒

Environmental

Operation temperature : -40° ~ +150°
Short-time temperature : +250° for 5 sec

电气规格

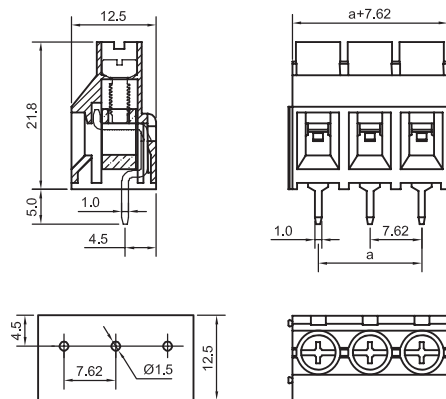
额定电压: 300V
额定电流: 30A
接触电阻: 20mΩ
绝缘电阻: >5000MΩ DC500V
耐电压: AC2000V/1Min
使用线径: 24-10AWG 3.0mm²
剥线长度: 6-7mm

Electrical

Rated voltage : 300V
Rated current : 30A
Contact resistance : 20m Ω
Insulation resistance : >5000MΩ DC500V
Withstanding voltage : AC2000V/1Min
Wire range : 24-10AWG 3.0mm²
Strip length : 6-7mm



YB912-762M



P.C.B LAYOUT

Pitch:7.62mm
Poles: 2~3 poles
Approval:

材质及电镀

压线框: 黄铜镀镍
插脚: 黄铜镀锡
塑件: PA66, UL94V-0
螺丝: M3, 钢镀锌
颜色: 绿色

Material

Care clamp : Brass, Ni Plated
Contact : Brass, Tin Plated
Housing : PA66, UL94V-0
Screws : M3 steel Zinc plated
Color : Green

工作环境

操作温度: -40° ~ +150°
瞬间温度: +250° 5秒

Environmental

Operation temperature : -40° ~ +150°
Short-time temperature : +250° for 5 sec

电气规格

额定电压: 300V
额定电流: 30A
接触电阻: 20mΩ
绝缘电阻: >5000MΩ DC500V
耐电压: AC2000V/1Min
使用线径: 24-10AWG 3.0mm²
剥线长度: 6-7mm

Electrical

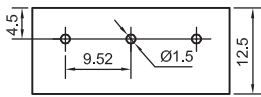
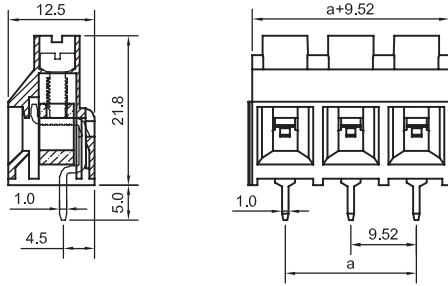
Rated voltage : 300V
Rated current : 30A
Contact resistance : 20m Ω
Insulation resistance : >5000MΩ DC500V
Withstanding voltage : AC2000V/1Min
Wire range : 24-10AWG 3.0mm²
Strip length : 6-7mm



YongXing Terminal Blocks



YB912-952M



P.C.B LAYOUT

Pitch:9.52mm
Poles: 2~3 poles
Approval:

材质及电镀

压线框: 黄铜镀镍
插脚: 黄铜镀锡
塑件: PA66, UL94V-0
螺丝: M3, 钢镀锌
颜色: 绿色

Material

Case clamp : Brass, Ni Plated
Contact : Brass, Tin Plated
Housing : PA66, UL94V-0
Screws : M3 steel Zinc plated
Color : Green

工作环境

操作温度: -40° ~ +150°
瞬间温度: +250° 5秒

Environmental

Operation temperature : -40° ~ +150°
Short-time temperature: +250° for 5 sec

电气规格

额定电压: 300V
额定电流: 30A
接触电阻: 20mΩ
绝缘电阻: >5000MΩ DC500V
耐电压: AC2000V/1Min
使用线径: 24-10AWG 3.0mm²
剥线长度: 6-7mm

Electrical

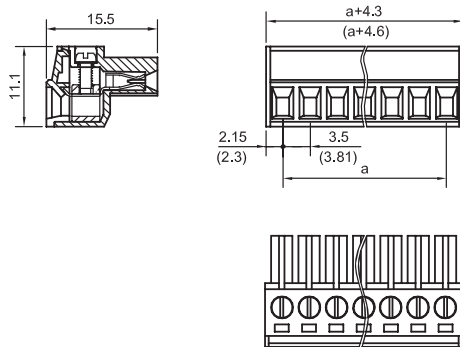
Rated voltage : 300V
Rated current : 30A
Contact resistance : 20mΩ
Insulation resistance : >5000MΩ DC500V
Withstanding voltage : AC2000V/1Min
Wire range : 24-10AWG 3.0mm²
Strip length : 6-7mm



YongXing Terminal Blocks



YC420-350 / YC420-381



Pitch:3.5mm;3.81mm

Poles: 2~24 poles

Approval:

材质及电镀

压线框: 黄铜镀镍
簧片: 磷铜镀锡
塑件: PA66, UL94V-0
螺丝: M2.0, 钢镀锌
颜色: 绿色

Material

Wire clamp : Brass, Ni Plated
Wire guard : Phosphor Tin Plated
Housing : PA66, UL94V-0
Screws : M2.0steel Zinc plated
Color : Green

工作环境

操作温度: -40° ~+150°
瞬间温度: +250° 5秒

Environmental

Operation temperature : -40° ~+150°
Short-time temperature : +250° for 5 sec

电气规格

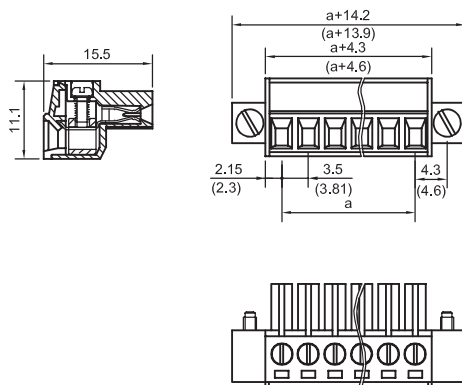
额定电压: 300V
额定电流: 10A
接触电阻: 20mΩ
绝缘电阻: >5000MΩ DC500V
耐电压: AC2000V/1Min
使用线径: 28-14AWG 1.5mm²
剥线长度: 6-7mm

Electrical

Rated voltage : 300V
Rated current : 10A
Contact resistance : 20mΩ
Insulation resistance : >5000MΩ DC500V
Withstanding voltage : AC2000V/1Min
Wire range : 28-14AWG 1.5mm²
Strip length : 6-7mm



YC421-350 / YC421-381



Pitch:3.5mm;3.81mm

Poles: 2~24poles

Approval:

材质及电镀

压线框: 黄铜镀镍
簧片: 磷铜镀锡
塑件: PA66, UL94V-0
螺丝: M2.0, 钢镀锌
颜色: 绿色

Material

Wire clamp : Brass, Ni Plated
Wire guard : Phosphor Tin Plated
Housing : PA66, UL94V-0
Screws : M2.0steel Zinc plated
Color : Green

工作环境

操作温度: -40° ~+150°
瞬间温度: +250° 5秒

Environmental

Operation temperature : -40° ~+150°
Short-time temperature : +250° for 5 sec

电气规格

额定电压: 300V
额定电流: 10A
接触电阻: 20mΩ
绝缘电阻: >5000MΩ DC500V
耐电压: AC2000V/1Min
使用线径: 28-14AWG 1.5mm²
剥线长度: 6-7mm

Electrical

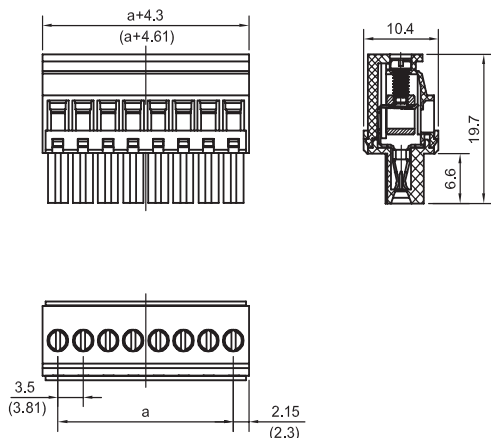
Rated voltage : 300V
Rated current : 10A
Contact resistance : 20mΩ
Insulation resistance : >5000MΩ DC500V
Withstanding voltage : AC2000V/1Min
Wire range : 28-14AWG 1.5mm²
Strip length : 6-7mm



YongXing Terminal Blocks



YC060-350/YC060-381



Pitch:3.5mm;3.81mm

Poles: 2~24 poles

Approval:

材质及电镀

压线框: 黄铜镀镍
簧片: 磷铜镀锡
塑件: PA66, UL94V-0
螺丝: M2.0, 钢镀锌
颜色: 绿色

Material

Wire clamp : Brass, Ni Plated
Wire guard : Phosphor Tin Plated
Housing : PA66, UL94V-0
Screws : M2.0 steel Zinc plated
Color : Green

工作环境

操作温度: -40° ~ $+150^{\circ}$
瞬间温度: $+250^{\circ}$ 5秒

Environmental

Operation temperature : -40° ~ $+150^{\circ}$
Short-time temperature : $+250^{\circ}$ for 5 sec

电气规格

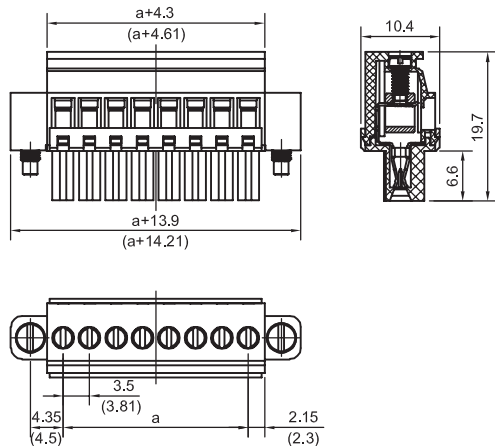
额定电压: 300V
额定电流: 10A
接触电阻: 20m Ω
绝缘电阻: $>5000M\Omega$ DC500V
耐电压: AC2000V/1Min
使用线径: 28-14AWG 1.5mm²
剥线长度: 6-7mm

Electrical

Rated voltage : 300V
Rated current : 10A
Contact resistance : 20m Ω
Insulation resistance : $>5000M\Omega$ DC500V
Withstanding voltage : AC2000V/1Min
Wire range : 28-14AWG 1.5mm²
Strip length : 6-7mm



YC061-350/YC061-381



Pitch:3.5mm;3.81mm

Poles: 2~24poles

Approval:

材质及电镀

压线框: 黄铜镀镍
簧片: 磷铜镀锡
塑件: PA66, UL94V-0
螺丝: M2.0, 钢镀锌
颜色: 绿色

Material

Wire clamp : Brass, Ni Plated
Wire guard : Phosphor Tin Plated
Housing : PA66, UL94V-0
Screws : M2.0 steel Zinc plated
Color : Green

工作环境

操作温度: -40° ~ $+150^{\circ}$
瞬间温度: $+250^{\circ}$ 5秒

Environmental

Operation temperature : -40° ~ $+150^{\circ}$
Short-time temperature : $+250^{\circ}$ for 5 sec

电气规格

额定电压: 300V
额定电流: 10A
接触电阻: 20m Ω
绝缘电阻: $>5000M\Omega$ DC500V
耐电压: AC2000V/1Min
使用线径: 28-14AWG 1.5mm²
剥线长度: 6-7mm

Electrical

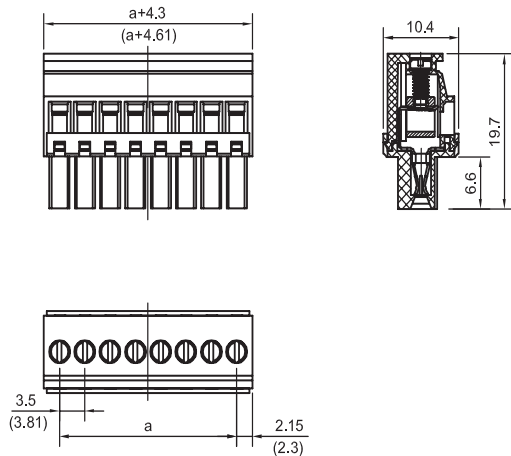
Rated voltage : 300V
Rated current : 10A
Contact resistance : 20m Ω
Insulation resistance : $>5000M\Omega$ DC500V
Withstanding voltage : AC2000V/1Min
Wire range : 28-14AWG 1.5mm²
Strip length : 6-7mm



YongXing Terminal Blocks



YC070-350/YC070-381



Pitch:3.5mm;3.81mm

Poles: 2~24 poles

Approval:

材质及电镀

压线框: 黄铜镀镍
 簧片: 磷铜镀锡
 塑件: PA66, UL94V-0
 螺丝: M2.0, 钢镀锌
 颜色: 绿色

Material

Wire clamp : Brass, Ni Plated
 Wire guard : Phosphor Tin Plated
 Housing : PA66, UL94V-0
 Screws : M2.0 steel Zinc plated
 Color : Green

工作环境

操作温度: -40° ~ $+150^{\circ}$
 瞬间温度: $+250^{\circ}$ 5秒

Environmental

Operation temperature : -40° ~ $+150^{\circ}$
 Short-time temperature : $+250^{\circ}$ for 5 sec

电气规格

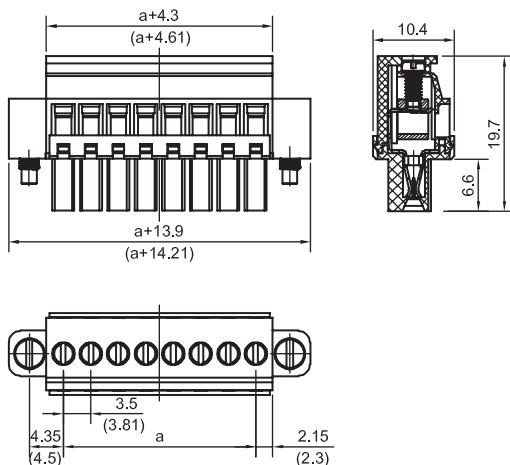
额定电压: 300V
 额定电流: 10A
 接触电阻: 20m Ω
 绝缘电阻: $>5000M\Omega$ DC500V
 耐电压: AC2000V/1Min
 使用线径: 28-14AWG 1.5mm²
 剥线长度: 6-7mm

Electrical

Rated voltage : 300V
 Rated current : 10A
 Contact resistance : 20m Ω
 Insulation resistance : $>5000M\Omega$ DC500V
 Withstanding voltage : AC2000V/1Min
 Wire range : 28-14AWG 1.5mm²
 Strip length : 6-7mm



YC071-350/YC071-381



Pitch:3.5mm;3.81mm

Poles: 2~24poles

Approval:

材质及电镀

压线框: 黄铜镀镍
 簧片: 磷铜镀锡
 塑件: PA66, UL94V-0
 螺丝: M2.0, 钢镀锌
 颜色: 绿色

Material

Wire clamp : Brass, Ni Plated
 Wire guard : Phosphor Tin Plated
 Housing : PA66, UL94V-0
 Screws : M2.0 steel Zinc plated
 Color : Green

工作环境

操作温度: -40° ~ $+150^{\circ}$
 瞬间温度: $+250^{\circ}$ 5秒

Environmental

Operation temperature : -40° ~ $+150^{\circ}$
 Short-time temperature : $+250^{\circ}$ for 5 sec

电气规格

额定电压: 300V
 额定电流: 10A
 接触电阻: 20m Ω
 绝缘电阻: $>5000M\Omega$ DC500V
 耐电压: AC2000V/1Min
 使用线径: 28-14AWG 1.5mm²
 剥线长度: 6-7mm

Electrical

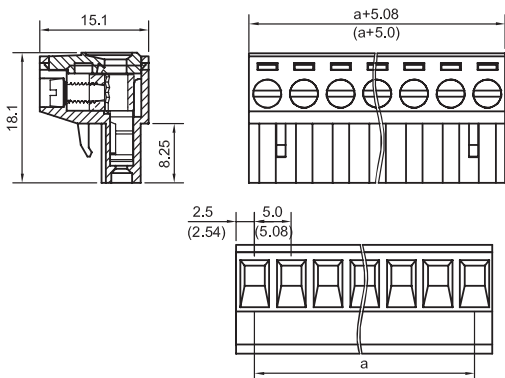
Rated voltage : 300V
 Rated current : 10A
 Contact resistance : 20m Ω
 Insulation resistance : $>5000M\Omega$ DC500V
 Withstanding voltage : AC2000V/1Min
 Wire range : 28-14AWG 1.5mm²
 Strip length : 6-7mm



YongXing Terminal Blocks



YC100-500 / YC100-508



Pitch:5.00mm;5.08mm

Poles: 2~24poles

Approval:

材质及电镀

压线框: 黄铜镀镍
簧片: 磷铜镀锡
塑件: PA66, UL94V-0
螺丝: M3, 钢镀锌
颜色: 绿色

Material

Care clamp : Brass, Ni Plated
Wire guard : Phosphor Tin Plated
Housing : PA66, UL94V-0
Screws : M3steel Zinc plated
Color : Green

工作环境

操作温度: -40° ~ $+150^{\circ}$
瞬间温度: $+250^{\circ}$ 5秒

Environmental

Operation temperature : -40° ~ $+150^{\circ}$
Short-time temperature: $+250^{\circ}$ for 5 sec

电气规格

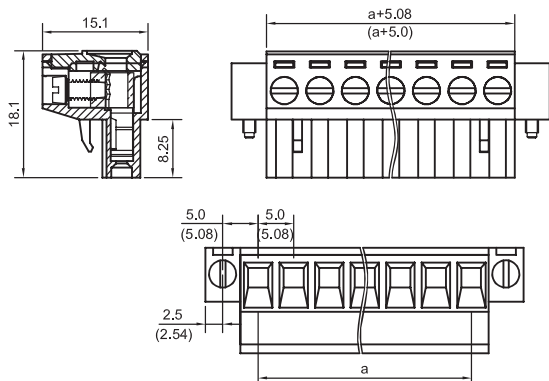
额定电压: 300V
额定电流: 16A
接触电阻: 20m Ω
绝缘电阻: $>5000M\Omega$ DC500V
耐电压: AC2000V/1Min
使用线径: 28-12AWG 2.5mm²
剥线长度: 6-7mm

Electrical

Rated voltage : 300V
Rated current : 16A
Contact resistance : 20m Ω
Insulation resistance : $>5000M\Omega$ DC500V
Withstanding voltage : AC2000V/1Min
Wire range : 28-12AWG 2.5mm²
Strip length : 6-7mm



YC101-500 / YC101-508



Pitch:5.00mm;5.08mm

Poles: 2~24poles

Approval:

材质及电镀

压线框: 黄铜镀镍
簧片: 磷铜镀锡
塑件: PA66, UL94V-0
螺丝: M3, 钢镀锌
颜色: 绿色

Material

Care clamp : Brass, Ni Plated
Wire guard : Phosphor Tin Plated
Housing : PA66, UL94V-0
Screws : M3steel Zinc plated
Color : Green

工作环境

操作温度: -40° ~ $+150^{\circ}$
瞬间温度: $+250^{\circ}$ 5秒

Environmental

Operation temperature : -40° ~ $+150^{\circ}$
Short-time temperature: $+250^{\circ}$ for 5 sec

电气规格

额定电压: 300V
额定电流: 16A
接触电阻: 20m Ω
绝缘电阻: $>5000M\Omega$ DC500V
耐电压: AC2000V/1Min
使用线径: 28-12AWG 2.5mm²
剥线长度: 6-7mm

Electrical

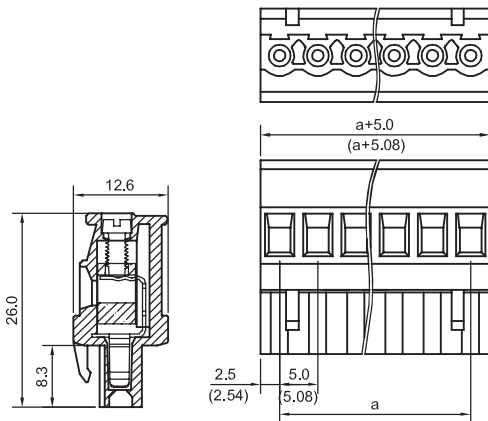
Rated voltage : 300V
Rated current : 16A
Contact resistance : 20m Ω
Insulation resistance : $>5000M\Omega$ DC500V
Withstanding voltage : AC2000V/1Min
Wire range : 28-12AWG 2.5mm²
Strip length : 6-7mm



YongXing Terminal Blocks



YC010-500 / YC010-508



Pitch: 5.00mm; 5.08mm

Poles: 2~24poles

Approval:

材质及电镀

压线框: 黄铜镀镍
 簧片: 磷铜镀锡
 塑件: PA66, UL94V-0
 螺丝: M3, 钢镀锌
 颜色: 绿色

Material

Care clamp : Brass, Ni Plated
 Wire guard : Phosphor Tin Plated
 Housing : PA66, UL94V-0
 Screws : M3steel Zinc plated
 Color : Green

工作环境

操作温度: -40° ~ $+150^{\circ}$
 瞬间温度: $+250^{\circ}$ 5秒

Environmental

Operation temperature : -40° ~ $+150^{\circ}$
 Short-time temperature: $+250^{\circ}$ for 5 sec

电气规格

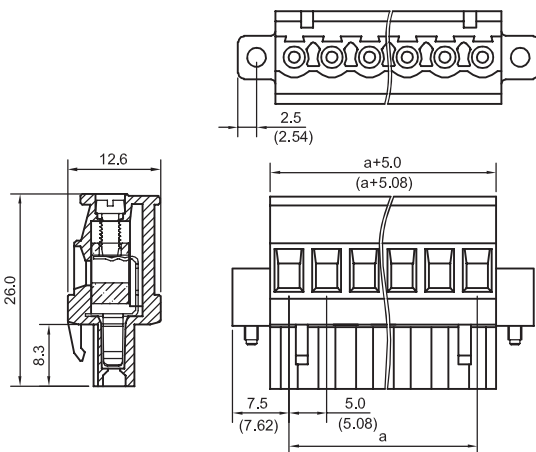
额定电压: 300V
 额定电流: 16A
 接触电阻: 20m Ω
 绝缘电阻: $>5000M\Omega$ DC500V
 耐电压: AC2000V/1Min
 使用线径: 28-12AWG 2.5mm²
 剥线长度: 6-7mm

Electrical

Rated voltage : 300V
 Rated current : 16A
 Contact resistance : 20m Ω
 Insulationt resistance : $>5000M\Omega$ DC500V
 Withstanding voltage : AC2000V/1Min
 Wire range : 28-12AWG 2.5mm²
 Strip length : 6-7mm



YC011-500 / YC011-508



Pitch: 5.00mm; 5.08mm

Poles: 2~24poles

Approval:

材质及电镀

压线框: 黄铜镀镍
 簧片: 磷铜镀锡
 塑件: PA66, UL94V-0
 螺丝: M3, 钢镀锌
 颜色: 绿色

Material

Care clamp : Brass, Ni Plated
 Wire guard : Phosphor Tin Plated
 Housing : PA66, UL94V-0
 Screws : M3steel Zinc plated
 Color : Green

工作环境

操作温度: -40° ~ $+150^{\circ}$
 瞬间温度: $+250^{\circ}$ 5秒

Environmental

Operation temperature : -40° ~ $+150^{\circ}$
 Short-time temperature: $+250^{\circ}$ for 5 sec

电气规格

额定电压: 300V
 额定电流: 16A
 接触电阻: 20m Ω
 绝缘电阻: $>5000M\Omega$ DC500V
 耐电压: AC2000V/1Min
 使用线径: 28-12AWG 2.5mm²
 剥线长度: 6-7mm

Electrical

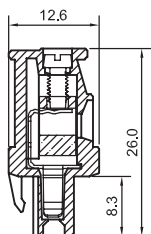
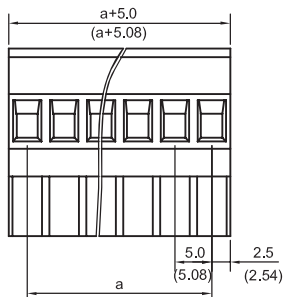
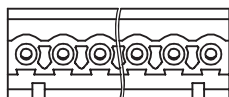
Rated voltage : 300V
 Rated current : 16A
 Contact resistance : 20m Ω
 Insulationt resistance : $>5000M\Omega$ DC500V
 Withstanding voltage : AC2000V/1Min
 Wire range : 28-12AWG 2.5mm²
 Strip length : 6-7mm



YongXing Terminal Blocks



YC020-500 / YC020-508



Pitch:5.00mm;5.08mm

Poles: 2~24poles

Approval:

材质及电镀

压线框: 黄铜镀镍
簧片: 磷铜镀锡
塑件: PA66, UL94V-0
螺丝: M3, 钢镀锌
颜色: 绿色

Material

Care clamp : Brass, Ni Plated
Wire guard : Phosphor Tin Plated
Housing : PA66, UL94V-0
Screws : M3steel Zinc plated
Color : Green

工作环境

操作温度: -40° ~ $+150^{\circ}$
瞬间温度: $+250^{\circ}$ 5秒

Environmental

Operation temperature : -40° ~ $+150^{\circ}$
Short-time temperature: $+250^{\circ}$ for 5 sec

电气规格

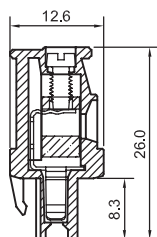
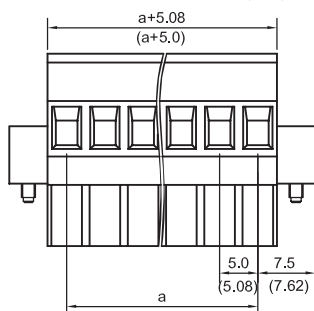
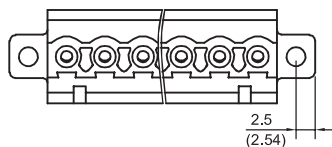
额定电压: 300V
额定电流: 16A
接触电阻: 20m Ω
绝缘电阻: $>5000M\Omega$ DC500V
耐电压: AC2000V/1Min
使用线径: 28-12AWG 2.5mm²
剥线长度: 6-7mm

Electrical

Rated voltage : 300V
Rated current : 16A
Contact resistance : 20m Ω
Insulation resistance : $>5000M\Omega$ DC500V
Withstanding voltage : AC2000V/1Min
Wire range : 28-12AWG 2.5mm²
Strip length : 6-7mm



YC021-500 / YC021-508



Pitch:5.00mm;5.08mm

Poles: 2~24poles

Approval:

材质及电镀

压线框: 黄铜镀镍
簧片: 磷铜镀锡
塑件: PA66, UL94V-0
螺丝: M3, 钢镀锌
颜色: 绿色

Material

Care clamp : Brass, Ni Plated
Wire guard : Phosphor Tin Plated
Housing : PA66, UL94V-0
Screws : M3steel Zinc plated
Color : Green

工作环境

操作温度: -40° ~ $+150^{\circ}$
瞬间温度: $+250^{\circ}$ 5秒

Environmental

Operation temperature : -40° ~ $+150^{\circ}$
Short-time temperature: $+250^{\circ}$ for 5 sec

电气规格

额定电压: 300V
额定电流: 16A
接触电阻: 20m Ω
绝缘电阻: $>5000M\Omega$ DC500V
耐电压: AC2000V/1Min
使用线径: 28-12AWG 2.5mm²
剥线长度: 6-7mm

Electrical

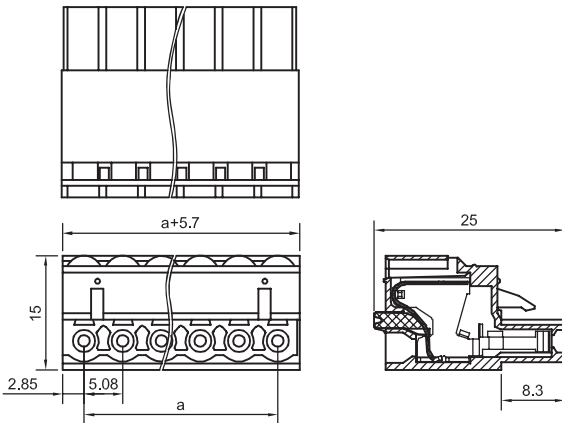
Rated voltage : 300V
Rated current : 16A
Contact resistance : 20m Ω
Insulation resistance : $>5000M\Omega$ DC500V
Withstanding voltage : AC2000V/1Min
Wire range : 28-12AWG 2.5mm²
Strip length : 6-7mm



YongXing Terminal Blocks



YC030-508



Pitch:5.08mm
Poles: 2~24 poles
Approval:

材质及电镀

弹片: 不锈钢
簧片: 磷铜镀锡
塑件: PA66, UL94V-0
颜色: 绿色

Material

Wire protector : Stainless strip steel
Wire guard : Phosphor Tin Plated
Housing : PA66,UL94V-0
Color : Green

工作环境

操作温度: -40° ~+150°
瞬间温度: +250° 5秒

Environmental

Operation temperature : -40° ~+150°
Short-time temperature: +250° for 5 sec

电气规格

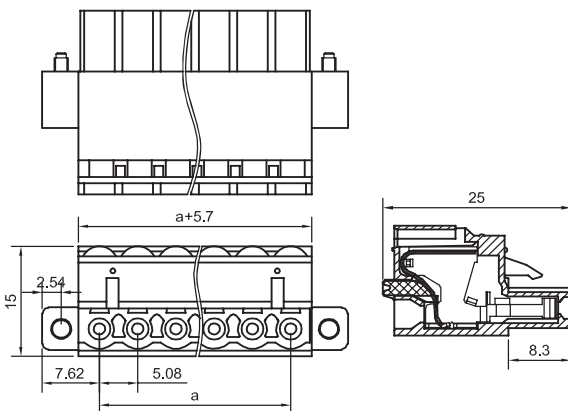
额定电压: 300V
额定电流: 16A
接触电阻: 20mΩ
绝缘电阻: >5000MΩ DC500V
耐电压: AC2000V/1Min
使用线径: 28-12AWG 2.5mm²
剥线长度: 6-7mm

Electrical

Rated voltage : 300V
Rated current : 16A
Contact resistance : 20mΩ
Insulation resistance : >5000MΩ DC500V
Withstanding voltage : AC2000V/1Min
Wire range : 28-12AWG 2.5mm²
Strip length : 6-7mm



YC031-508



Pitch:5.08mm
Poles: 2~24 poles
Approval:

材质及电镀

弹片: 不锈钢
簧片: 磷铜镀锡
塑件: PA66, UL94V-0
颜色: 绿色

Material

Wire protector : Stainless strip steel
Wire guard : Phosphor Tin Plated
Housing : PA66,UL94V-0
Color : Green

工作环境

操作温度: -40° ~+150°
瞬间温度: +250° 5秒

Environmental

Operation temperature : -40° ~+150°
Short-time temperature: +250° for 5 sec

电气规格

额定电压: 300V
额定电流: 16A
接触电阻: 20mΩ
绝缘电阻: >5000MΩ DC500V
耐电压: AC2000V/1Min
使用线径: 28-12AWG 2.5mm²
剥线长度: 6-7mm

Electrical

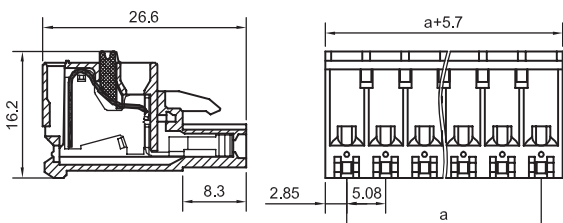
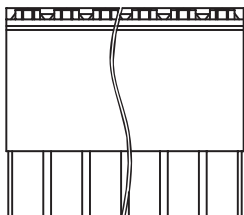
Rated voltage : 300V
Rated current : 16A
Contact resistance : 20mΩ
Insulation resistance : >5000MΩ DC500V
Withstanding voltage : AC2000V/1Min
Wire range : 28-12AWG 2.5mm²
Strip length : 6-7mm



YongXing Terminal Blocks



YC040-508



Pitch: 5.08mm
 Poles: 2~24 poles
 Approval:

材质及电镀

弹片: 不锈钢
 簧片: 磷铜镀锡
 塑件: PA66, UL94V-0
 颜色: 绿色

Material

Wire protector: Stainless strip steel
 Wire guard: Phosphor Tin Plated
 Housing: PA66, UL94V-0
 Color: Green

工作环境

操作温度: -40° ~ +150°
 瞬间温度: +250° 5秒

Environmental

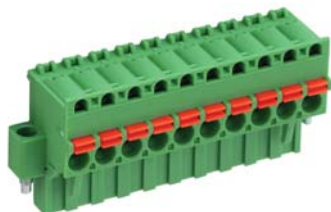
Operation temperature: -40° ~ +150°
 Short-time temperature: +250° for 5 sec

电气规格

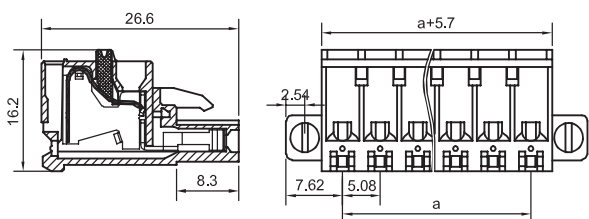
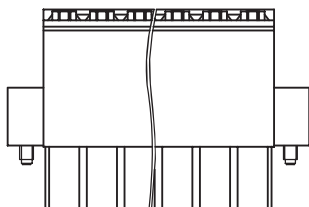
额定电压: 300V
 额定电流: 16A
 接触电阻: 20mΩ
 绝缘电阻: >5000MΩ DC500V
 耐电压: AC2000V/1Min
 使用线径: 28-12AWG 2.5mm²
 剥线长度: 6-7mm

Electrical

Rated voltage: 300V
 Rated current: 16A
 Contact resistance: 20mΩ
 Insulation resistance: >5000MΩ DC500V
 Withstanding voltage: AC2000V/1Min
 Wire range: 28-12AWG 2.5mm²
 Strip length: 6-7mm



YC041-508



Pitch: 5.08mm
 Poles: 2~24 poles
 Approval:

材质及电镀

弹片: 不锈钢
 簧片: 磷铜镀锡
 塑件: PA66, UL94V-0
 颜色: 绿色

Material

Wire protector: Stainless strip steel
 Wire guard: Phosphor Tin Plated
 Housing: PA66, UL94V-0
 Color: Green

工作环境

操作温度: -40° ~ +150°
 瞬间温度: +250° 5秒

Environmental

Operation temperature: -40° ~ +150°
 Short-time temperature: +250° for 5 sec

电气规格

额定电压: 300V
 额定电流: 16A
 接触电阻: 20mΩ
 绝缘电阻: >5000MΩ DC500V
 耐电压: AC2000V/1Min
 使用线径: 28-12AWG 2.5mm²
 剥线长度: 6-7mm

Electrical

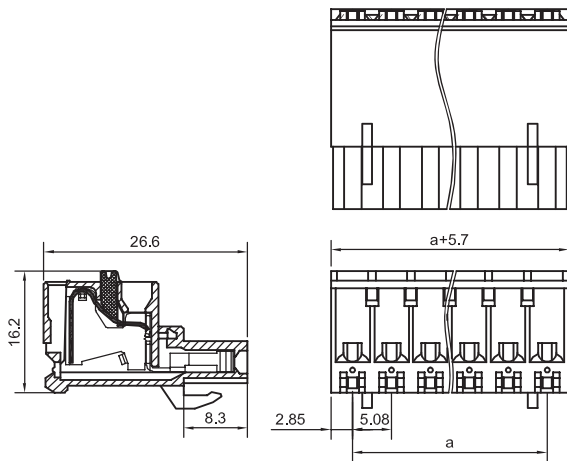
Rated voltage: 300V
 Rated current: 16A
 Contact resistance: 20mΩ
 Insulation resistance: >5000MΩ DC500V
 Withstanding voltage: AC2000V/1Min
 Wire range: 28-12AWG 2.5mm²
 Strip length: 6-7mm



YongXing Terminal Blocks



YC050-508



Pitch: 5.08mm
 Poles: 2~24 poles
 Approval:

材质及电镀 / Material

弹片: 不锈钢	Wire protector: Stainless strip steel
簧片: 磷铜镀锡	Wire guard: Phosphor Tin Plated
塑件: PA66, UL94V-0	Housing: PA66, UL94V-0
颜色: 绿色	Color: Green

工作环境 / Environmental

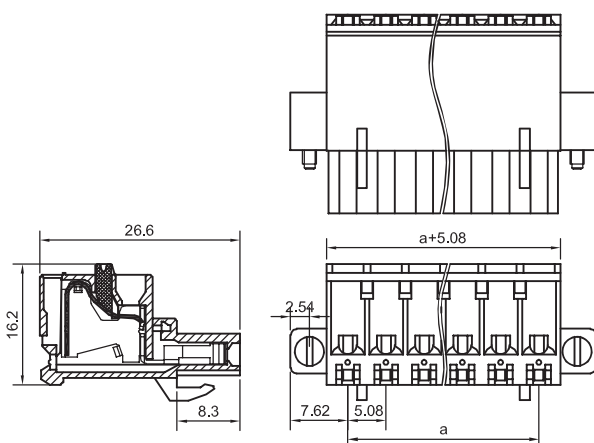
操作温度: -40° ~ +150°	Operation temperature: -40° ~ +150°
瞬间温度: +250° 5秒	Short-time temperature: +250° for 5 sec

电气规格 / Electrical

额定电压: 300V	Rated voltage: 300V
额定电流: 16A	Rated current: 16A
接触电阻: 20mΩ	Contact resistance: 20mΩ
绝缘电阻: >5000MΩ DC500V	Insulation resistance: >5000MΩ DC500V
耐电压: AC2000V/1Min	Withstanding voltage: AC2000V/1Min
使用线径: 28-12AWG 2.5mm ²	Wire range: 28-12AWG 2.5mm ²
剥线长度: 6-7mm	Strip length: 6-7mm



YC051-508



Pitch: 5.08mm
 Poles: 2~24 poles
 Approval:

材质及电镀 / Material

弹片: 不锈钢	Wire protector: Stainless strip steel
簧片: 磷铜镀锡	Wire guard: Phosphor Tin Plated
塑件: PA66, UL94V-0	Housing: PA66, UL94V-0
颜色: 绿色	Color: Green

工作环境 / Environmental

操作温度: -40° ~ +150°	Operation temperature: -40° ~ +150°
瞬间温度: +250° 5秒	Short-time temperature: +250° for 5 sec

电气规格 / Electrical

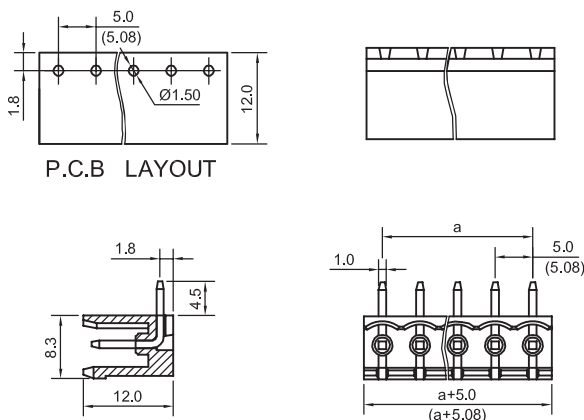
额定电压: 300V	Rated voltage: 300V
额定电流: 16A	Rated current: 16A
接触电阻: 20mΩ	Contact resistance: 20mΩ
绝缘电阻: >5000MΩ DC500V	Insulation resistance: >5000MΩ DC500V
耐电压: AC2000V/1Min	Withstanding voltage: AC2000V/1Min
使用线径: 28-12AWG 2.5mm ²	Wire range: 28-12AWG 2.5mm ²
剥线长度: 6-7mm	Strip length: 6-7mm



YongXing Terminal Blocks



YE010-500 / YE010-508



Pitch: 5.00mm; 5.08mm

Poles: 2~24 poles

Approval:

材质及电镀

方 针: 黄铜镀锡
塑 件: PA66, UL94V-0
颜 色: 绿色

Material

Policy : Brass, Tin Plated
Housing : PA66, UL94V-0
Color : Green

工作环境

操作温度: -40° ~ $+150^{\circ}$
瞬间温度: $+250^{\circ}$ 5秒

Environmental

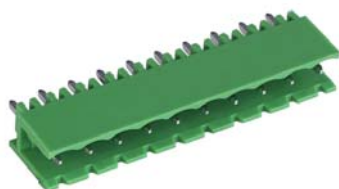
Operation temperature : -40° ~ $+150^{\circ}$
Short-time temperature : $+250^{\circ}$ for 5 sec

电气规格

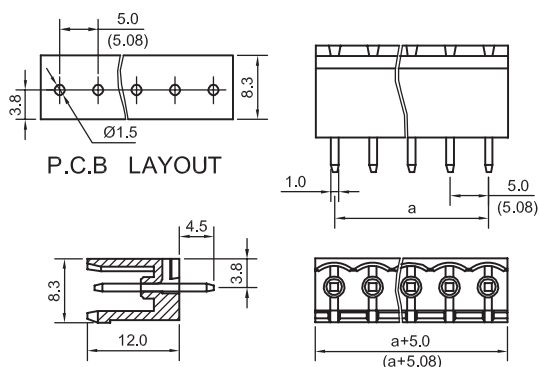
额定电压: 300V
额定电流: 16A
接触电阻: 20m Ω
绝缘电阻: $>5000M\Omega$ DC500V
耐 电 压: AC2000V/1Min

Electrical

Rated voltage : 300V
Rated current : 16A
Contact resistance : 20m Ω
Insulation resistance : $>5000M\Omega$ DC500V
Withstanding voltage : AC2000V/1Min



YE020-500 / YE020-508



Pitch: 5.00mm; 5.08mm

Poles: 2~24 poles

Approval:

材质及电镀

方 针: 黄铜镀锡
塑 件: PA66, UL94V-0
颜 色: 绿色

Material

Policy : Brass, Tin Plated
Housing : PA66, UL94V-0
Color : Green

工作环境

操作温度: -40° ~ $+150^{\circ}$
瞬间温度: $+250^{\circ}$ 5秒

Environmental

Operation temperature : -40° ~ $+150^{\circ}$
Short-time temperature : $+250^{\circ}$ for 5 sec

电气规格

额定电压: 300V
额定电流: 16A
接触电阻: 20m Ω
绝缘电阻: $>5000M\Omega$ DC500V
耐 电 压: AC2000V/1Min

Electrical

Rated voltage : 300V
Rated current : 16A
Contact resistance : 20m Ω
Insulation resistance : $>5000M\Omega$ DC500V
Withstanding voltage : AC2000V/1Min



YongXing Terminal Blocks

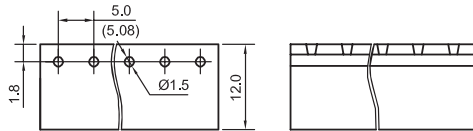
Pitch: 5.00mm; 5.08mm

Poles: 2~24 poles

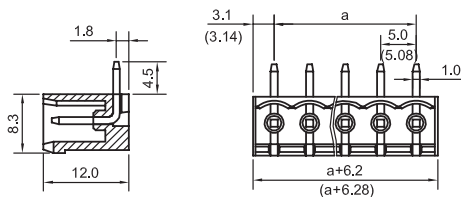
Approval:



YE030-500 / YE030-508



P.C.B LAYOUT



◆ 材质及电镀 ◆ Material

方 针: 黄铜镀锡
塑 件: PA66, UL94V-0
颜 色: 绿色

Policy : Brass, Tin Plated
Housing : PA66, UL94V-0
Color : Green

◆ 工作环境 ◆ Environmental

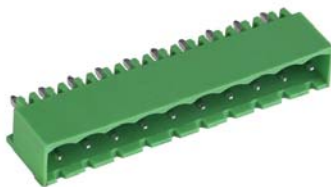
操作温度: -40° ~ +150°
瞬间温度: +250° 5秒

Operation temperature : -40° ~ +150°
Short-time temperature : +250° for 5 sec

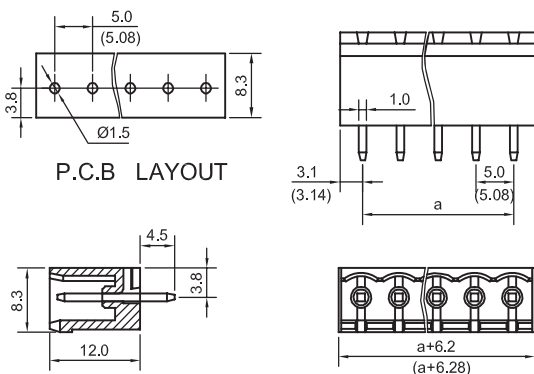
◆ 电气规格 ◆ Electrical

额定电压: 300V
额定电流: 16A
接触电阻: 20m Ω
绝缘电阻: >5000MΩ DC500V
耐 电 压: AC2000V/1Min

Rated voltage : 300V
Rated current : 16A
Contact resistance : 20m Ω
Insulation resistance : >5000MΩ DC500V
Withstanding voltage : AC2000V/1Min



YE040-500 / YE040-508



P.C.B LAYOUT

Pitch: 5.00mm; 5.08mm

Poles: 2~24 poles

Approval:

◆ 材质及电镀 ◆ Material

方 针: 黄铜镀锡
塑 件: PA66, UL94V-0
颜 色: 绿色

Policy : Brass, Tin Plated
Housing : PA66, UL94V-0
Color : Green

◆ 工作环境 ◆ Environmental

操作温度: -40° ~ +150°
瞬间温度: +250° 5秒

Operation temperature : -40° ~ +150°
Short-time temperature : +250° for 5 sec

◆ 电气规格 ◆ Electrical

额定电压: 300V
额定电流: 16A
接触电阻: 20m Ω
绝缘电阻: >5000MΩ DC500V
耐 电 压: AC2000V/1Min

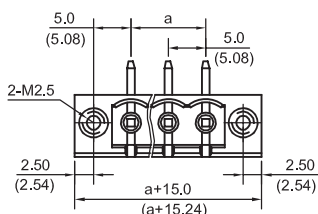
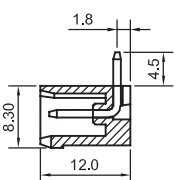
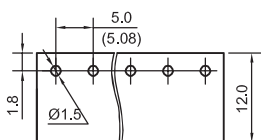
Rated voltage : 300V
Rated current : 16A
Contact resistance : 20m Ω
Insulation resistance : >5000MΩ DC500V
Withstanding voltage : AC2000V/1Min



YongXing Terminal Blocks



YE050-500 / YE050-508



Pitch:5.00mm;5.08mm

Poles: 2~24 poles

Approval:

材质及电镀

方 针: 黄铜镀锡
塑 件: PA66, UL94V-0
颜 色: 绿色

Material

Policy : Brass, Tin Plated
Housing : PA66, UL94V-0
Color : Green

工作环境

操作温度: -40° ~+150°
瞬间温度: +250° 5秒

Environmental

Operation temperature : -40° ~+150°
Short-time temperature : +250° for 5 sec

电气规格

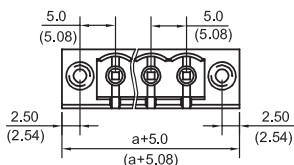
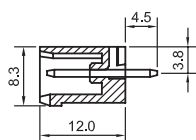
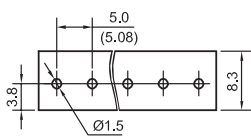
额定电压: 300V
额定电流: 16A
接触电阻: 20mΩ
绝缘电阻: >5000MΩ DC500V
耐 电 压: AC2000V/1Min

Electrical

Rated voltage : 300V
Rated current : 16A
Contact resistance : 20mΩ
Insulation resistance : >5000MΩ DC500V
Withstanding voltage : AC2000V/1Min



YE060-500 / YE060-508



Pitch:5.00mm;5.08mm

Poles: 2~24 poles

Approval:

材质及电镀

方 针: 黄铜镀锡
塑 件: PA66, UL94V-0
颜 色: 绿色

Material

Policy : Brass, Tin Plated
Housing : PA66, UL94V-0
Color : Green

工作环境

操作温度: -40° ~+150°
瞬间温度: +250° 5秒

Environmental

Operation temperature : -40° ~+150°
Short-time temperature : +250° for 5 sec

电气规格

额定电压: 300V
额定电流: 16A
接触电阻: 20mΩ
绝缘电阻: >5000MΩ DC500V
耐 电 压: AC2000V/1Min

Electrical

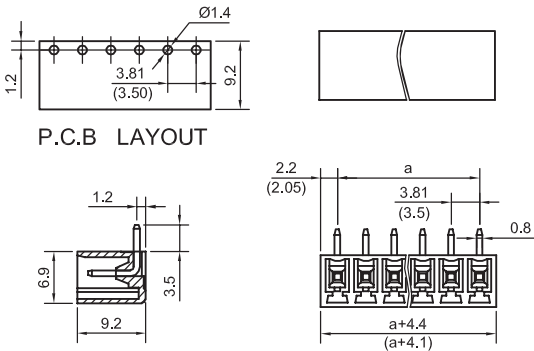
Rated voltage : 300V
Rated current : 16A
Contact resistance : 20mΩ
Insulation resistance : >5000MΩ DC500V
Withstanding voltage : AC2000V/1Min



YongXing Terminal Blocks



YE430-350 / YE430-381



P.C.B LAYOUT

Pitch:3.5mm;3.81mm
Poles: 2~24 poles
Approval:

◆ 材质及电镀 ◆ Material

方 针: 黄铜镀锡	Policy	: Brass, Tin Plated
塑 件: PA66, UL94V-0	Housing	: PA66, UL94V-0
颜 色: 绿色	Color	: Green

◆ 工作环境 ◆ Environmental

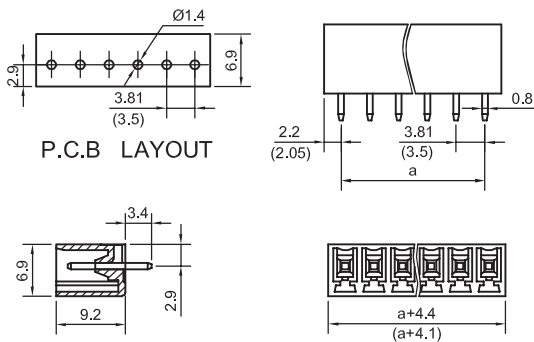
操作温度: -40° ~+150°	Operation temperature	: -40° ~+150°
瞬间温度: +250° 5秒	Short-time temperature	: +250° for 5 sec

◆ 电气规格 ◆ Electrical

额定电压: 300V	Rated voltage	: 300V
额定电流: 12A	Rated current	: 12A
接触电阻: 20mΩ	Contact resistance	: 20mΩ
绝缘电阻: >5000MΩ DC500V	Insulation resistance	: >5000MΩ DC500V
耐电压: AC2000V/1Min	Withstanding voltage	: AC2000V/1Min



YE440-350 / YE440-381



P.C.B LAYOUT

Pitch:3.5mm;3.81mm
Poles: 2~24 poles
Approval:

◆ 材质及电镀 ◆ Material

方 针: 黄铜镀锡	Policy	: Brass, Tin Plated
塑 件: PA66, UL94V-0	Housing	: PA66, UL94V-0
颜 色: 绿色	Color	: Green

◆ 工作环境 ◆ Environmental

操作温度: -40° ~+150°	Operation temperature	: -40° ~+150°
瞬间温度: +250° 5秒	Short-time temperature	: +250° for 5 sec

◆ 电气规格 ◆ Electrical

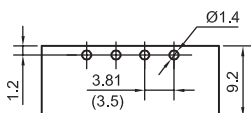
额定电压: 300V	Rated voltage	: 300V
额定电流: 12A	Rated current	: 12A
接触电阻: 20mΩ	Contact resistance	: 20mΩ
绝缘电阻: >5000MΩ DC500V	Insulation resistance	: >5000MΩ DC500V
耐电压: AC2000V/1Min	Withstanding voltage	: AC2000V/1Min



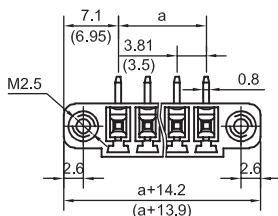
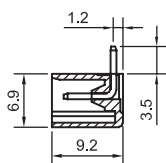
YongXing Terminal Blocks



YE450-350 / YE450-381



P.C.B LAYOUT



Pitch:3.5mm;3.81mm

Poles: 2~24 poles

Approval:

◆ 材质及电镀

方 针 : 黄铜镀锡
塑 件 : PA66, UL94V-0
颜 色 : 绿色

◆ Material

Policy : Brass, Tin Plated
Housing : PA66, UL94V-0
Color : Green

◆ 工作环境

操作温度: -40° ~+150°
瞬间温度: +250° 5秒

◆ Environmental

Operation temperature : -40° ~+150°
Short-time temperature : +250° for 5 sec

◆ 电气规格

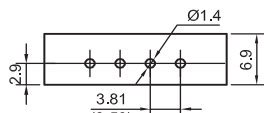
额定电压: 300V
额定电流: 12A
接触电阻: 20mΩ
绝缘电阻: >5000MΩ DC500V
耐 电 压: AC2000V/1Min

◆ Electrical

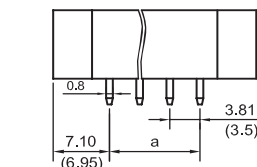
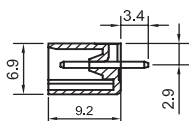
Rated voltage : 300V
Rated current : 12A
Contact resistance : 20mΩ
Insulationt resistance : >5000MΩ DC500V
Withstanding voltage : AC2000V/1Min



YE460-350 / YE460-381



P.C.B LAYOUT



Pitch:3.5mm;3.81mm

Poles: 2~24 poles

Approval:

◆ 材质及电镀

方 针 : 黄铜镀锡
塑 件 : PA66, UL94V-0
颜 色 : 绿色

◆ Material

Policy : Brass, Tin Plated
Housing : PA66, UL94V-0
Color : Green

◆ 工作环境

操作温度: -40° ~+150°
瞬间温度: +250° 5秒

◆ Environmental

Operation temperature : -40° ~+150°
Short-time temperature : +250° for 5 sec

◆ 电气规格

额定电压: 300V
额定电流: 12A
接触电阻: 20mΩ
绝缘电阻: >5000MΩ DC500V
耐 电 压: AC2000V/1Min

◆ Electrical

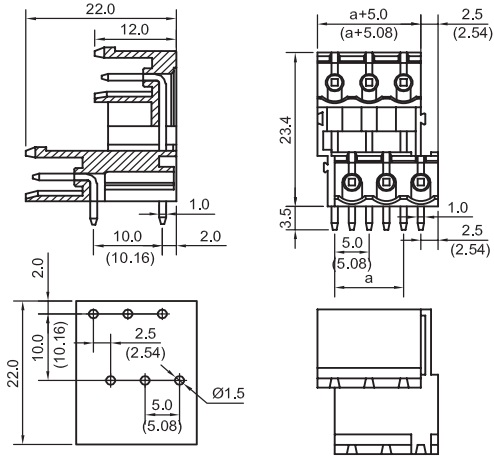
Rated voltage : 300V
Rated current : 12A
Contact resistance : 20mΩ
Insulationt resistance : >5000MΩ DC500V
Withstanding voltage : AC2000V/1Min



YongXing Terminal Blocks



YE110-500M / YE110-508M



P.C.B LAYOUT

Pitch:5.00mm;508mm

Poles: 2~3 poles

Approval:

材质及电镀

方 针: 黄铜镀锡
塑 件: PA66, UL94V-0
颜 色: 绿色

Material

Policy : Brass, Tin Plated
Housing : PA66, UL94V-0
Color : Green

工作环境

操作温度: -40° ~ +150°
瞬间温度: +250° 5秒

Environmental

Operation temperature : -40° ~ +150°
Short-time temperature : +250° for 5 sec

电气规格

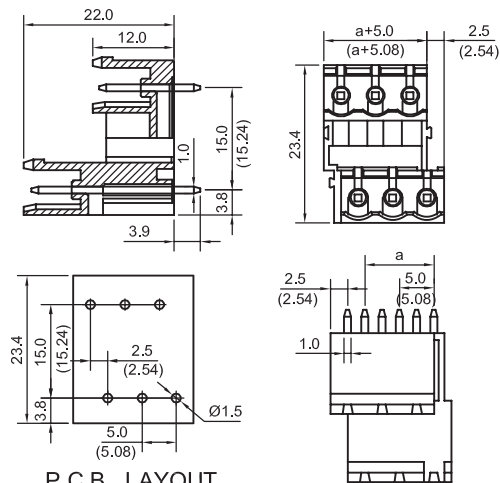
额定电压: 300V
额定电流: 16A
接触电阻: 20mΩ
绝缘电阻: >5000MΩ DC500V
耐 电 压: AC2000V/1Min

Electrical

Rated voltage : 300V
Rated current : 16A
Contact resistance : 20mΩ
Insulation resistance : >5000MΩ DC500V
Withstanding voltage : AC2000V/1Min



YE120-500M / YE120-508M



P.C.B LAYOUT

Pitch:5.00mm;508mm

Poles: 2~3 poles

Approval:

材质及电镀

方 针: 黄铜镀锡
塑 件: PA66, UL94V-0
颜 色: 绿色

Material

Policy : Brass, Tin Plated
Housing : PA66, UL94V-0
Color : Green

工作环境

操作温度: -40° ~ +150°
瞬间温度: +250° 5秒

Environmental

Operation temperature : -40° ~ +150°
Short-time temperature : +250° for 5 sec

电气规格

额定电压: 300V
额定电流: 16A
接触电阻: 20mΩ
绝缘电阻: >5000MΩ DC500V
耐 电 压: AC2000V/1Min

Electrical

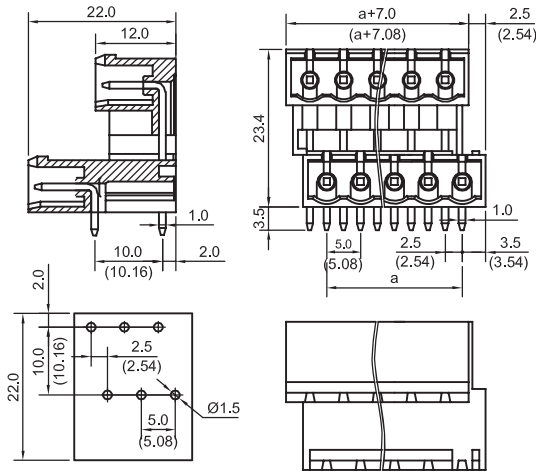
Rated voltage : 300V
Rated current : 16A
Contact resistance : 20mΩ
Insulation resistance : >5000MΩ DC500V
Withstanding voltage : AC2000V/1Min



YongXing Terminal Blocks



YE130-500 / YE130-508



P.C.B LAYOUT

Pitch:5.00mm;508mm

Poles: 2~24 poles

Approval:

材质及电镀

方 针: 黄铜镀锡
塑 件: PA66, UL94V-0
颜 色: 绿色

Material

Policy : Brass, Tin Plated
Housing : PA66, UL94V-0
Color : Green

工作环境

操作温度: -40° ~+150°
瞬间温度: +250° 5秒

Environmental

Operation temperature : -40° ~+150°
Short-time temperature : +250° for 5 sec

电气规格

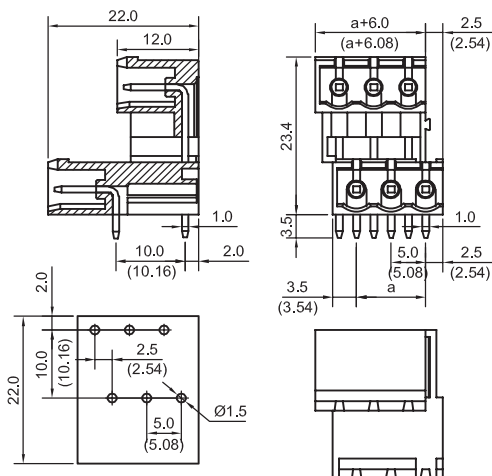
额定电压: 300V
额定电流: 16A
接触电阻: 20mΩ
绝缘电阻: >5000MΩ DC500V
耐 电 压: AC2000V/1Min

Electrical

Rated voltage : 300V
Rated current : 16A
Contact resistance : 20mΩ
Insulation resistance : >5000MΩ DC500V
Withstanding voltage : AC2000V/1Min



YE13L-500M / YE13L-508M



P.C.B LAYOUT

Pitch:5.00mm;508mm

Poles: 2~3 poles

Approval:

材质及电镀

方 针: 黄铜镀锡
塑 件: PA66, UL94V-0
颜 色: 绿色

Material

Policy : Brass, Tin Plated
Housing : PA66, UL94V-0
Color : Green

工作环境

操作温度: -40° ~+150°
瞬间温度: +250° 5秒

Environmental

Operation temperature : -40° ~+150°
Short-time temperature : +250° for 5 sec

电气规格

额定电压: 300V
额定电流: 16A
接触电阻: 20mΩ
绝缘电阻: >5000MΩ DC500V
耐 电 压: AC2000V/1Min

Electrical

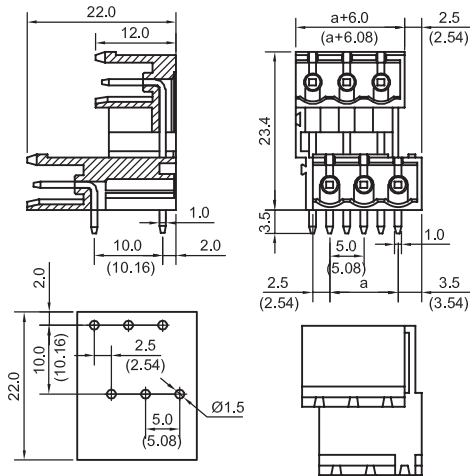
Rated voltage : 300V
Rated current : 16A
Contact resistance : 20mΩ
Insulation resistance : >5000MΩ DC500V
Withstanding voltage : AC2000V/1Min



YongXing Terminal Blocks



YE13R-500M / YE13R-508M



P.C.B LAYOUT

Pitch:5.00mm;508mm

Poles: 2~3 poles

Approval:

材质及电镀

方 针: 黄铜镀锡
塑 件: PA66, UL94V-0
颜 色: 绿色

Material

Policy : Brass, Tin Plated
Housing : PA66, UL94V-0
Color : Green

工作环境

操作温度: -40° ~+150°
瞬间温度: +250° 5秒

Environmental

Operation temperature : -40° ~+150°
Short-time temperature : +250° for 5 sec

电气规格

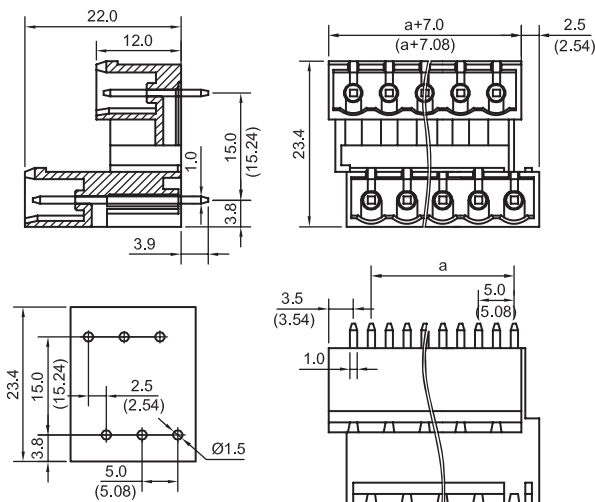
额定电压: 300V
额定电流: 16A
接触电阻: 20mΩ
绝缘电阻: >5000MΩ DC500V
耐 电 压: AC2000V/1Min

Electrical

Rated voltage : 300V
Rated current : 16A
Contact resistance : 20mΩ
Insulation resistance : >5000MΩ DC500V
Withstanding voltage : AC2000V/1Min



YE140-500 / YE140-508



P.C.B LAYOUT

Pitch:5.00mm;508mm

Poles: 2~24 poles

Approval:

材质及电镀

方 针: 黄铜镀锡
塑 件: PA66, UL94V-0
颜 色: 绿色

Material

Policy : Brass, Tin Plated
Housing : PA66, UL94V-0
Color : Green

工作环境

操作温度: -40° ~+150°
瞬间温度: +250° 5秒

Environmental

Operation temperature : -40° ~+150°
Short-time temperature : +250° for 5 sec

电气规格

额定电压: 300V
额定电流: 16A
接触电阻: 20mΩ
绝缘电阻: >5000MΩ DC500V
耐 电 压: AC2000V/1Min

Electrical

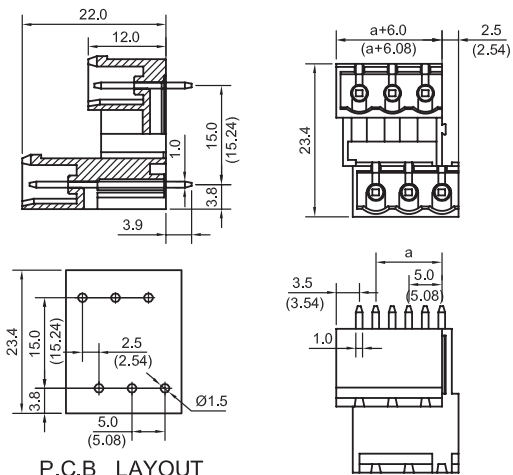
Rated voltage : 300V
Rated current : 16A
Contact resistance : 20mΩ
Insulation resistance : >5000MΩ DC500V
Withstanding voltage : AC2000V/1Min



YongXing Terminal Blocks



YE14L-500M / YE14L-508M



P.C.B LAYOUT

Pitch:5.00mm;508mm

Poles: 2~3 poles

Approval:

材质及电镀

方 针: 黄铜镀锡
塑 件: PA66, UL94V-0
颜 色: 绿色

Material

Policy : Brass, Tin Plated
Housing : PA66, UL94V-0
Color : Green

工作环境

操作温度: -40° ~ $+150^{\circ}$
瞬间温度: $+250^{\circ}$ 5秒

Environmental

Operation temperature : -40° ~ $+150^{\circ}$
Short-time temperature : $+250^{\circ}$ for 5 sec

电气规格

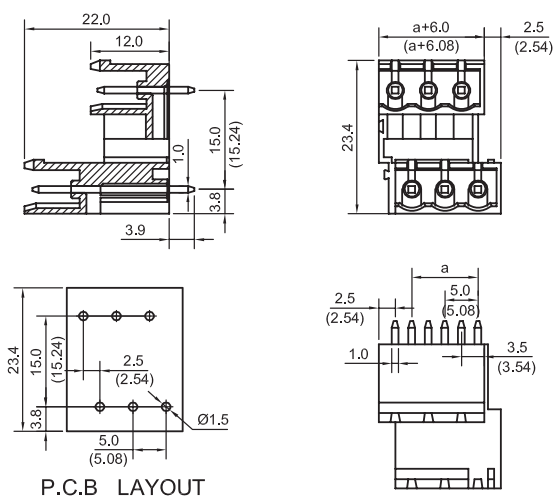
额定电压: 300V
额定电流: 16A
接触电阻: $20m\ \Omega$
绝缘电阻: $>5000M\ \Omega$ DC500V
耐 电 压: AC2000V/1Min

Electrical

Rated voltage : 300V
Rated current : 16A
Contact resistance : $20m\ \Omega$
Insulation resistance : $>5000M\ \Omega$ DC500V
Withstanding voltage : AC2000V/1Min



YE14R-500M / YE14R-508M



P.C.B LAYOUT

Pitch:5.00mm;508mm

Poles: 2~3 poles

Approval:

材质及电镀

方 针: 黄铜镀锡
塑 件: PA66, UL94V-0
颜 色: 绿色

Material

Policy : Brass, Tin Plated
Housing : PA66, UL94V-0
Color : Green

工作环境

操作温度: -40° ~ $+150^{\circ}$
瞬间温度: $+250^{\circ}$ 5秒

Environmental

Operation temperature : -40° ~ $+150^{\circ}$
Short-time temperature : $+250^{\circ}$ for 5 sec

电气规格

额定电压: 300V
额定电流: 16A
接触电阻: $20m\ \Omega$
绝缘电阻: $>5000M\ \Omega$ DC500V
耐 电 压: AC2000V/1Min

Electrical

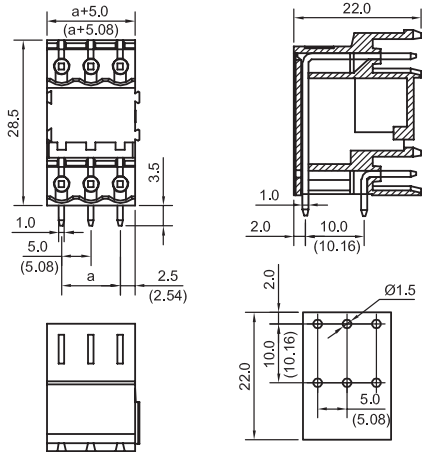
Rated voltage : 300V
Rated current : 16A
Contact resistance : $20m\ \Omega$
Insulation resistance : $>5000M\ \Omega$ DC500V
Withstanding voltage : AC2000V/1Min



YongXing Terminal Blocks



YE210-500M / YE210-508M



P.C.B LAYOUT

Pitch:5.00mm;508mm

Poles: 2~3 poles

Approval:

材质及电镀

方 针: 黄铜镀锡
塑 件: PA66, UL94V-0
颜 色: 绿色

Material

Policy : Brass, Tin Plated
Housing : PA66, UL94V-0
Color : Green

工作环境

操作温度: -40° ~+150°
瞬间温度: +250° 5秒

Environmental

Operation temperature : -40° ~+150°
Short-time temperature : +250° for 5 sec

电气规格

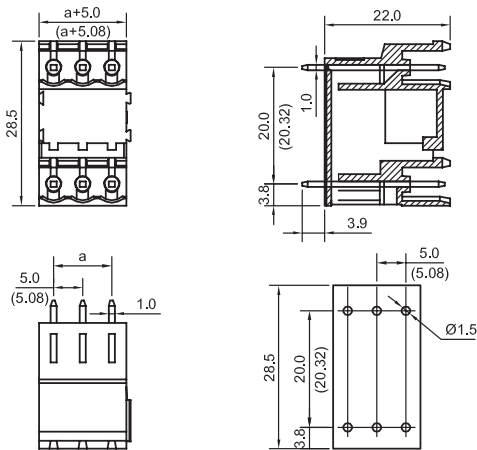
额定电压: 300V
额定电流: 16A
接触电阻: 20mΩ
绝缘电阻: >5000MΩ DC500V
耐 电 压: AC2000V/1Min

Electrical

Rated voltage : 300V
Rated current : 16A
Contact resistance : 20mΩ
Insulation resistance : >5000MΩ DC500V
Withstanding voltage : AC2000V/1Min



YE220-500M / YE220-508M



P.C.B LAYOUT

Pitch:5.00mm;508mm

Poles: 2~3 poles

Approval:

材质及电镀

方 针: 黄铜镀锡
塑 件: PA66, UL94V-0
颜 色: 绿色

Material

Policy : Brass, Tin Plated
Housing : PA66, UL94V-0
Color : Green

工作环境

操作温度: -40° ~+150°
瞬间温度: +250° 5秒

Environmental

Operation temperature : -40° ~+150°
Short-time temperature : +250° for 5 sec

电气规格

额定电压: 300V
额定电流: 16A
接触电阻: 20mΩ
绝缘电阻: >5000MΩ DC500V
耐 电 压: AC2000V/1Min

Electrical

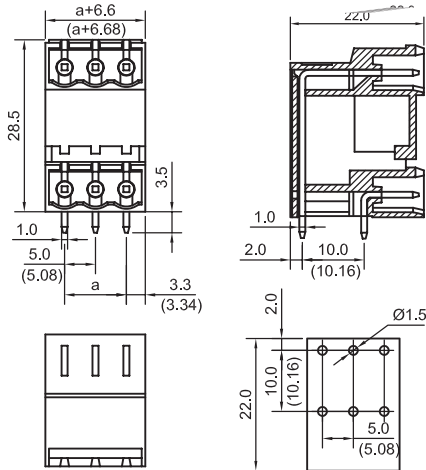
Rated voltage : 300V
Rated current : 16A
Contact resistance : 20mΩ
Insulation resistance : >5000MΩ DC500V
Withstanding voltage : AC2000V/1Min



YongXing Terminal Blocks



YE230-500 / YE230-508



P.C.B LAYOUT

Pitch:5.00mm;508mm

Poles: 2~24 poles

Approval:

材质及电镀

方 针: 黄铜镀锡
塑 件: PA66, UL94V-0
颜 色: 绿色

Material

Policy : Brass, Tin Plated
Housing : PA66, UL94V-0
Color : Green

工作环境

操作温度: -40° ~+150°
瞬间温度: +250° 5秒

Environmental

Operation temperature : -40° ~+150°
Short-time temperature: +250° for 5 sec

电气规格

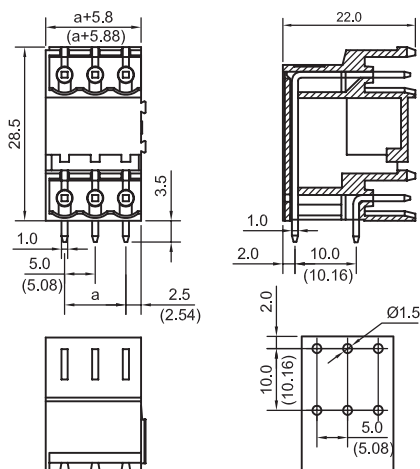
额定电压: 300V
额定电流: 16A
接触电阻: 20m Ω
绝缘电阻: >5000MΩ DC500V
耐 电 压: AC2000V/1Min

Electrical

Rated voltage : 300V
Rated current : 16A
Contact resistance : 20m Ω
Insulation resistance : >5000MΩ DC500V
Withstanding voltage : AC2000V/1Min



YE23L-500M / YE23L-508M



P.C.B LAYOUT

Pitch:5.00mm;508mm

Poles: 2~3 poles

Approval:

材质及电镀

方 针: 黄铜镀锡
塑 件: PA66, UL94V-0
颜 色: 绿色

Material

Policy : Brass, Tin Plated
Housing : PA66, UL94V-0
Color : Green

工作环境

操作温度: -40° ~+150°
瞬间温度: +250° 5秒

Environmental

Operation temperature : -40° ~+150°
Short-time temperature: +250° for 5 sec

电气规格

额定电压: 300V
额定电流: 16A
接触电阻: 20m Ω
绝缘电阻: >5000MΩ DC500V
耐 电 压: AC2000V/1Min

Electrical

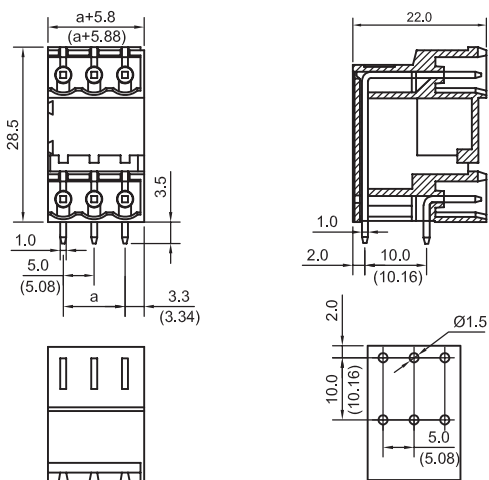
Rated voltage : 300V
Rated current : 16A
Contact resistance : 20m Ω
Insulation resistance : >5000MΩ DC500V
Withstanding voltage : AC2000V/1Min



YongXing Terminal Blocks



YE23R-500M / YE23R-508M



P.C.B LAYOUT

Pitch:5.00mm;508mm

Poles: 2~3 poles

Approval:

◆ 材质及电镀 ◆ Material

方 针: 黄铜镀锡	Policy	: Brass, Tin Plated
塑 件: PA66, UL94V-0	Housing	: PA66, UL94V-0
颜 色: 绿色	Color	: Green

◆ 工作环境 ◆ Environmental

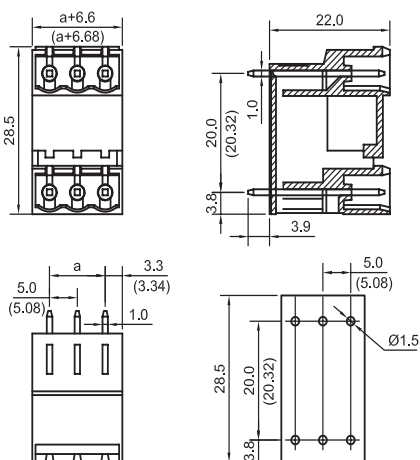
操作温度: -40° ~+150°	Operation temperature	: -40° ~+150°
瞬间温度: +250° 5秒	Short-time temperature	: +250° for 5 sec

◆ 电气规格 ◆ Electrical

额定电压: 300V	Rated voltage	: 300V
额定电流: 16A	Rated current	: 16A
接触电阻: 20mΩ	Contact resistance	: 20mΩ
绝缘电阻: >5000MΩ DC500V	Insulation resistance	: >5000MΩ DC500V
耐 电 压: AC2000V/1Min	Withstanding voltage	: AC2000V/1Min



YE240-500 / YE240-508



P.C.B LAYOUT

Pitch:5.00mm;508mm

Poles: 2~24 poles

Approval:

◆ 材质及电镀 ◆ Material

方 针: 黄铜镀锡	Policy	: Brass, Tin Plated
塑 件: PA66, UL94V-0	Housing	: PA66, UL94V-0
颜 色: 绿色	Color	: Green

◆ 工作环境 ◆ Environmental

操作温度: -40° ~+150°	Operation temperature	: -40° ~+150°
瞬间温度: +250° 5秒	Short-time temperature	: +250° for 5 sec

◆ 电气规格 ◆ Electrical

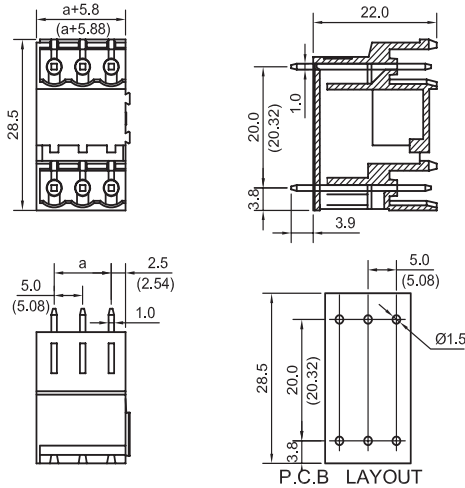
额定电压: 300V	Rated voltage	: 300V
额定电流: 16A	Rated current	: 16A
接触电阻: 20mΩ	Contact resistance	: 20mΩ
绝缘电阻: >5000MΩ DC500V	Insulation resistance	: >5000MΩ DC500V
耐 电 压: AC2000V/1Min	Withstanding voltage	: AC2000V/1Min



YongXing Terminal Blocks



YE24L-500M / YE24L-508M



Pitch:5.00mm;508mm

Poles: 2~3 poles

Approval:

材质及电镀

方 针: 黄铜镀锡
塑 件: PA66, UL94V-0
颜 色: 绿色

Material

Policy : Brass, Tin Plated
Housing : PA66, UL94V-0
Color : Green

工作环境

操作温度: -40° ~+150°
瞬间温度: +250° 5秒

Environmental

Operation temperature : -40° ~+150°
Short-time temperature: +250° for 5 sec

电气规格

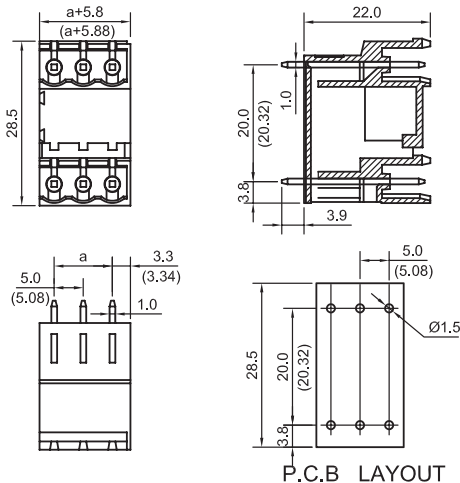
额定电压: 300V
额定电流: 16A
接触电阻: 20mΩ
绝缘电阻: >5000MΩ DC500V
耐 电 压: AC2000V/1Min

Electrical

Rated voltage : 300V
Rated current : 16A
Contact resistance : 20mΩ
Insulation resistance : >5000MΩ DC500V
Withstanding voltage : AC2000V/1Min



YE24R-500M / YE24R-508M



Pitch:5.00mm;508mm

Poles: 2~3 poles

Approval:

材质及电镀

方 针: 黄铜镀锡
塑 件: PA66, UL94V-0
颜 色: 绿色

Material

Policy : Brass, Tin Plated
Housing : PA66, UL94V-0
Color : Green

工作环境

操作温度: -40° ~+150°
瞬间温度: +250° 5秒

Environmental

Operation temperature : -40° ~+150°
Short-time temperature: +250° for 5 sec

电气规格

额定电压: 300V
额定电流: 16A
接触电阻: 20mΩ
绝缘电阻: >5000MΩ DC500V
耐 电 压: AC2000V/1Min

Electrical

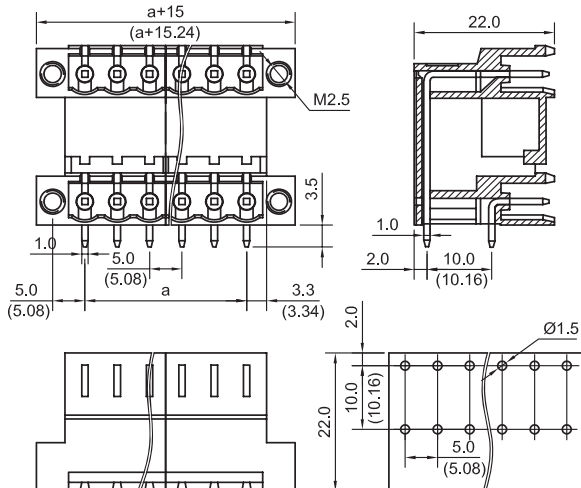
Rated voltage : 300V
Rated current : 16A
Contact resistance : 20mΩ
Insulation resistance : >5000MΩ DC500V
Withstanding voltage : AC2000V/1Min



YongXing Terminal Blocks



YE250-500 / YE250-508



P.C.B LAYOUT

Pitch: 5.00mm; 508mm

Poles: 2~24 poles

Approval:

材质及电镀

方 针: 黄铜镀锡
塑 件: PA66, UL94V-0
颜 色: 绿色

Material

Policy : Brass, Tin Plated
Housing : PA66, UL94V-0
Color : Green

工作环境

操作温度: -40° ~ $+150^{\circ}$
瞬间温度: $+250^{\circ}$ 5秒

Environmental

Operation temperature : -40° ~ $+150^{\circ}$
Short-time temperature : $+250^{\circ}$ for 5 sec

电气规格

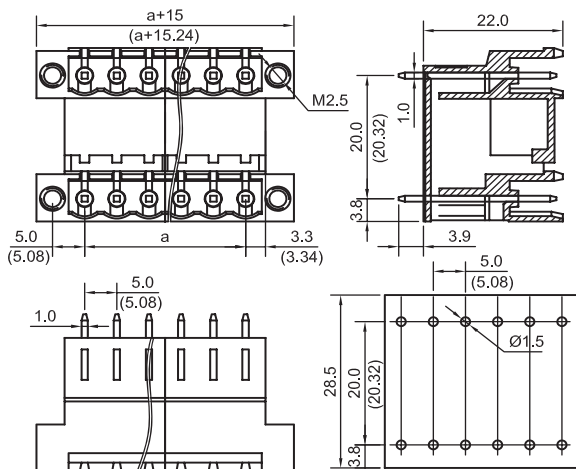
额定电压: 300V
额定电流: 16A
接触电阻: 20m Ω
绝缘电阻: $>5000M\Omega$ DC500V
耐 电 压: AC2000V/1Min

Electrical

Rated voltage : 300V
Rated current : 16A
Contact resistance : 20m Ω
Insulation resistance : $>5000M\Omega$ DC500V
Withstanding voltage : AC2000V/1Min



YE260-500 / YE260-508



P.C.B LAYOUT

Pitch: 5.00mm; 508mm

Poles: 2~24 poles

Approval:

材质及电镀

方 针: 黄铜镀锡
塑 件: PA66, UL94V-0
颜 色: 绿色

Material

Policy : Brass, T in Plated
Housing : PA66, UL94V-0
Color : Green

工作环境

操作温度: -40° ~ $+150^{\circ}$
瞬间温度: $+250^{\circ}$ 5秒

Environmental

Operation temperature : -40° ~ $+150^{\circ}$
Short-time temperature : $+250^{\circ}$ for 5 sec

电气规格

额定电压: 300V
额定电流: 16A
接触电阻: 20m Ω
绝缘电阻: $>5000M\Omega$ DC500V
耐 电 压: AC2000V/1Min

Electrical

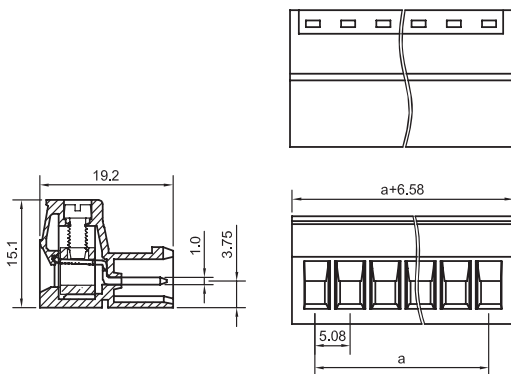
Rated voltage : 300V
Rated current : 16A
Contact resistance : 20m Ω
Insulation resistance : $>5000M\Omega$ DC500V
Withstanding voltage : AC2000V/1Min



YongXing Terminal Blocks



YE330-508



Pitch:5.08mm
Poles: 2~24 poles
Approval:

材质及电镀

压线框: 黄铜镀镍
插脚: 黄铜镀锡
塑件: PA66, UL94V-0
螺丝: M3, 钢镀锌
颜色: 绿色

Material

Care clamp : Brass, Ni Plated
Contact : Brass, Tin Plated
Housing : PA66, UL94V-0
Screws : M3steel Zinc plated
Color : Green

工作环境

操作温度: -40° ~+150°
瞬间温度: +250° 5秒

Environmental

Operation temperature : -40° ~+150°
Short-time temperature: +250° for 5 sec

电气规格

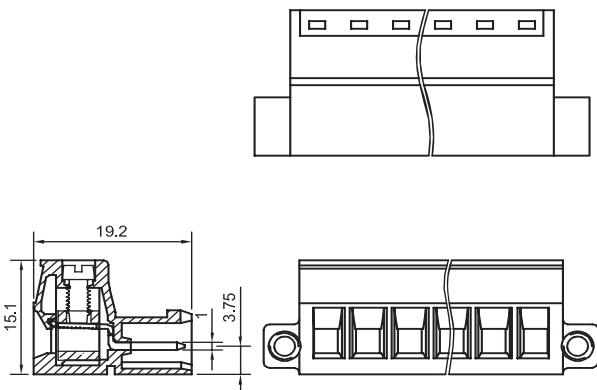
额定电压: 300V
额定电流: 16A
接触电阻: 20mΩ
绝缘电阻: >5000MΩ DC500V
耐电压: AC2000V/1Min
使用线径: 24-12AWG 2.5mm²
剥线长度: 6-7mm

Electrical

Rated voltage : 300V
Rated current : 16A
Contact resistance : 20mΩ
Insulation resistance : >5000MΩ DC500V
Withstanding voltage : AC2000V/1Min
Wire range : 24-12AWG 2.5mm²
Strip length : 6-7mm



YE350-508



Pitch:5.08mm
Poles: 2~24poles
Approval:

材质及电镀

压线框: 黄铜镀镍
插脚: 黄铜镀锡
塑件: PA66, UL94V-0
螺丝: M3, 钢镀锌
颜色: 绿色

Material

Care clamp : Brass, Ni Plated
Contact : Brass, Tin Plated
Housing : PA66, UL94V-0
Screws : M3steel Zinc plated
Color : Green

工作环境

操作温度: -40° ~+150°
瞬间温度: +250° 5秒

Environmental

Operation temperature : -40° ~+150°
Short-time temperature: +250° for 5 sec

电气规格

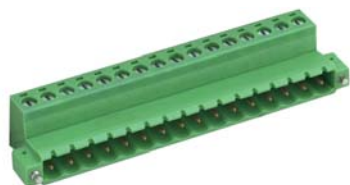
额定电压: 300V
额定电流: 16A
接触电阻: 20mΩ
绝缘电阻: >5000MΩ DC500V
耐电压: AC2000V/1Min
使用线径: 24-12AWG 2.5mm²
剥线长度: 6-7mm

Electrical

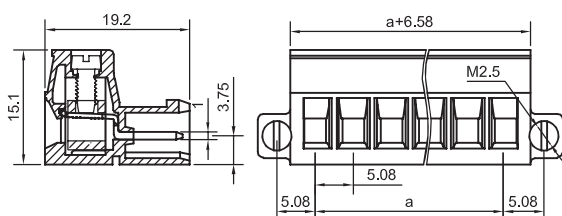
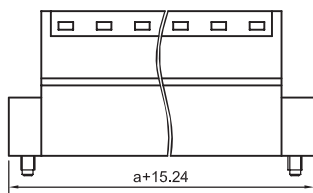
Rated voltage : 300V
Rated current : 16A
Contact resistance : 20mΩ
Insulation resistance : >5000MΩ DC500V
Withstanding voltage : AC2000V/1Min
Wire range : 24-12AWG 2.5mm²
Strip length : 6-7mm



YongXing Terminal Blocks



YE370-508



Pitch: 5.08mm
 Poles: 2~24poles
 Approval:

材质及电镀

压线框: 黄铜镀镍
 插脚: 黄铜镀锡
 塑件: PA66, UL94V-0
 螺丝: M3, 钢镀锌
 颜色: 绿色

Material

Care clamp : Brass, Ni Plated
 Contact : Brass, Tin Plated
 Housing : PA66, UL94V-0
 Screws : M3 steel Zinc plated
 Color : Green

工作环境

操作温度: -40° ~ +150°
 瞬间温度: +250° 5秒

Environmental

Operation temperature : -40° ~ +150°
 Short-time temperature : +250° for 5 sec

电气规格

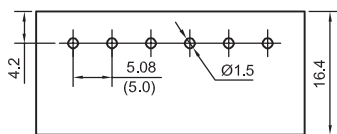
额定电压: 300V
 额定电流: 16A
 接触电阻: 20mΩ
 绝缘电阻: >5000MΩ DC500V
 耐电压: AC2000V/1Min
 使用线径: 24-12AWG 2.5mm²
 剥线长度: 6-7mm

Electrical

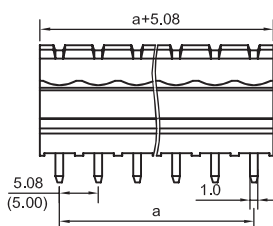
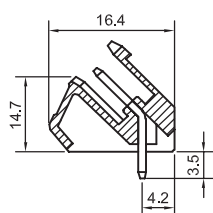
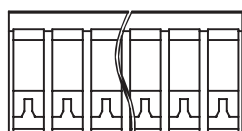
Rated voltage : 300V
 Rated current : 16A
 Contact resistance : 20mΩ
 Insulation resistance : >5000MΩ DC500V
 Withstanding voltage : AC2000V/1Min
 Wire range : 24-12AWG 2.5mm²
 Strip length : 6-7mm



YE510-500 / YE510-508



P.C.B LAYOUT



Pitch: 5.00mm; 5.08mm
 Poles: 2~24poles
 Approval:

材质及电镀

方 针: 黄铜镀锡
 塑 件: PA66, UL94V-0
 颜 色: 绿色

Material

Policy : Brass, Tin Plated
 Housing : PA66, UL94V-0
 Color : Green

工作环境

操作温度: -40° ~ +150°
 瞬间温度: +250° 5秒

Environmental

Operation temperature : -40° ~ +150°
 Short-time temperature : +250° for 5 sec

电气规格

额定电压: 300V
 额定电流: 16A
 接触电阻: 20mΩ
 绝缘电阻: >5000MΩ DC500V
 耐电压: AC2000V/1Min

Electrical

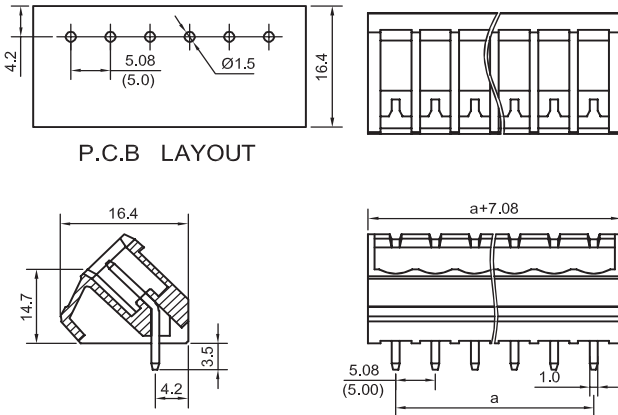
Rated voltage : 300V
 Rated current : 16A
 Contact resistance : 20mΩ
 Insulation resistance : >5000MΩ DC500V
 Withstanding voltage : AC2000V/1Min



YongXing Terminal Blocks



YE530-500 / YE530-508



Pitch: 5.00mm; 508mm

Poles: 2~24 poles

Approval:

材质及电镀

方 针: 黄铜镀锡
塑 件: PA66, UL94V-0
颜 色: 绿色

Material

Policy : Brass, Tin Plated
Housing : PA66, UL94V-0
Color : Green

工作环境

操作温度: -40° ~ $+150^{\circ}$
瞬间温度: $+250^{\circ}$ 5秒

Environmental

Operation temperature : -40° ~ $+150^{\circ}$
Short-time temperature : $+250^{\circ}$ for 5 sec

电气规格

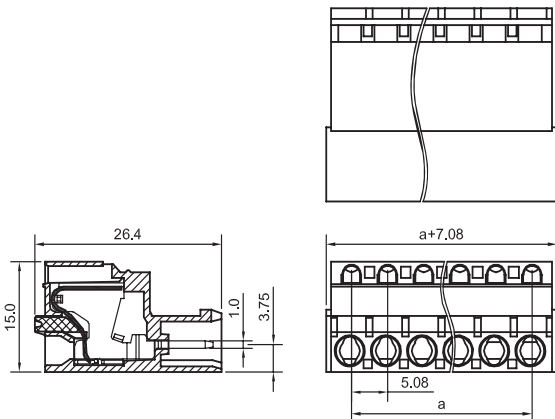
额定电压: 300V
额定电流: 16A
接触电阻: 20m Ω
绝缘电阻: $>5000M\Omega$ DC500V
耐 电 压: AC2000V/1Min

Electrical

Rated voltage : 300V
Rated current : 16A
Contact resistance : 20m Ω
Insulation resistance : $>5000M\Omega$ DC500V
Withstanding voltage : AC2000V/1Min



YE630-508



Pitch: 5.08mm

Poles: 2~24poles

Approval:

材质及电镀

弹 片: 不锈钢
簧 片: 黄铜镀锡
塑 件: PA66, UL94V-0
颜 色: 绿色

Material

Wire protector : Stainless strip steel
Contact : Brass, Tin Plated
Housing : PA66, UL94V-0
Color : Green

工作环境

操作温度: -40° ~ $+150^{\circ}$
瞬间温度: $+250^{\circ}$ 5秒

Environmental

Operation temperature : -40° ~ $+150^{\circ}$
Short-time temperature : $+250^{\circ}$ for 5 sec

电气规格

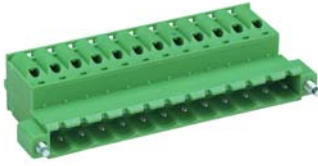
额定电压: 300V
额定电流: 16A
接触电阻: 20m Ω
绝缘电阻: $>5000M\Omega$ DC500V
耐 电 压: AC2000V/1Min
使用线径: 28-12AWG 2.5mm²
剥线长度: 6-7mm

Electrical

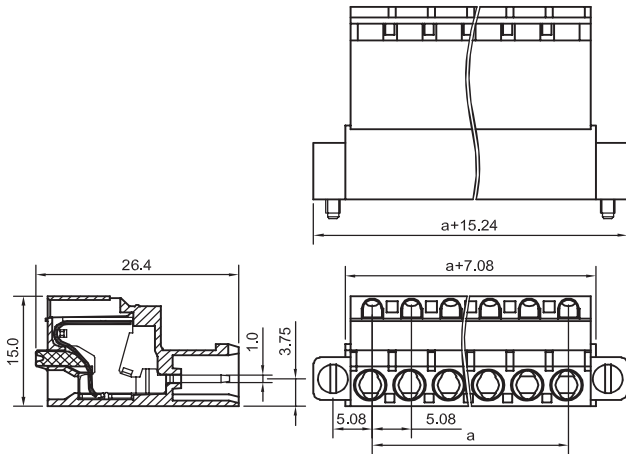
Rated voltage : 300V
Rated current : 16A
Contact resistance : 20m Ω
Insulation resistance : $>5000M\Omega$ DC500V
Withstanding voltage : AC2000V/1Min
Wire range : 28-12AWG 2.5mm²
Strip length : 6-7mm



YongXing Terminal Blocks



YE650-508



Pitch: 5.08mm
 Poles: 2~24 poles
 Approval:

材质及电镀

弹片: 不锈钢
 簧片: 黄铜镀锡
 塑件: PA66, UL94V-0
 颜色: 绿色

Material

Wire protector : Stainless strip steel
 Contact : Brass, Tin Plated
 Housing : PA66, UL94V-0
 Color : Green

工作环境

操作温度: -40° ~ +150°
 瞬间温度: +250° 5秒

Environmental

Operation temperature : -40° ~ +150°
 Short-time temperature : +250° for 5 sec

电气规格

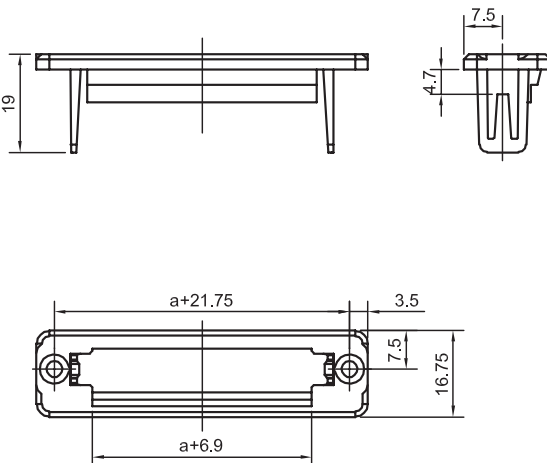
额定电压: 300V
 额定电流: 16A
 接触电阻: 20mΩ
 绝缘电阻: >5000MΩ DC500V
 耐电压: AC2000V/1Min
 使用线径: 28-12AWG 2.5mm²
 剥线长度: 6-7mm

Electrical

Rated voltage : 300V
 Rated current : 16A
 Contact resistance : 20mΩ
 Insulation resistance : >5000MΩ DC500V
 Withstanding voltage : AC2000V/1Min
 Wire range : 28-12AWG 2.5mm²
 Strip length : 6-7mm

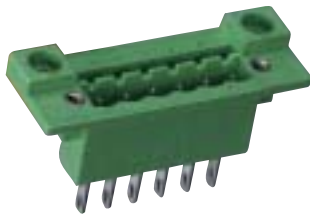


YE350KJ-508

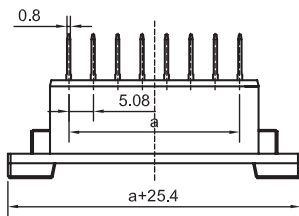
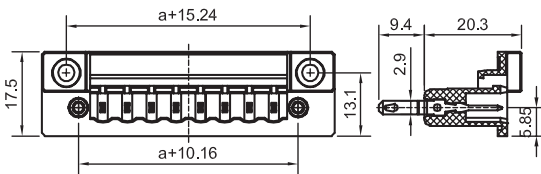




YongXing Terminal Blocks



YE860-508



Pitch: 508mm
 Poles: 2~24 poles
 Approval:

材质及电镀

插脚: 黄铜镀锡
 塑件: PA66, UL94V-0
 颜色: 绿色

Material

Contact : Brass, Tin Plated
 Housing : PA66, UL94V-0
 Color : Green

工作环境

操作温度: -40° ~ $+150^{\circ}$
 瞬间温度: $+250^{\circ}$ 5秒

Environmental

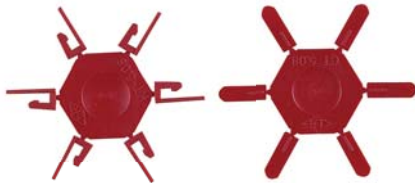
Operation temperature : -40° ~ $+150^{\circ}$
 Short-time temperature: $+250^{\circ}$ for 5 sec

电气规格

额定电压: 300V
 额定电流: 16A
 接触电阻: $20m\ \Omega$
 绝缘电阻: $>5000M\ \Omega$ DC500V
 耐电压: AC2000V/1Min

Electrical

Rated voltage : 300V
 Rated current : 16A
 Contact resistance : $20m\ \Omega$
 Insulation resistance : $>5000M\ \Omega$ DC500V
 Withstanding voltage : AC2000V/1Min



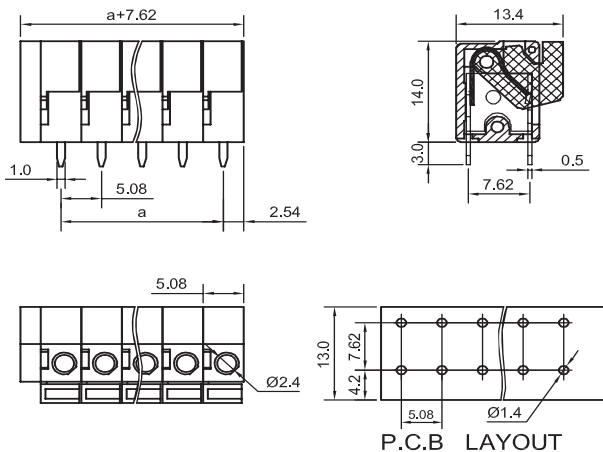
CT-508/KT-508



YongXing Terminal Blocks



YX122-508



Pitch: 5.08mm
 Poles: 2~16 poles
 Approval:

材质及电镀

弹片: 不锈钢
 插脚: 黄铜镀锡
 塑件: PA66, UL94V-0
 颜色: 绿色

Material

Wire protector: Stainless strip steel
 Contact: Brass, Tin Plated
 Housing: PA66, UL94V-0
 Color: Green

工作环境

操作温度: -40° ~ $+150^{\circ}$
 瞬间温度: $+250^{\circ}$ 5秒

Environmental

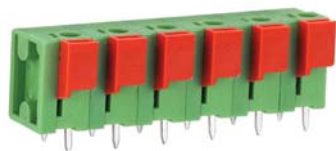
Operation temperature: -40° ~ $+150^{\circ}$
 Short-time temperature: $+250^{\circ}$ for 5 sec

电气规格

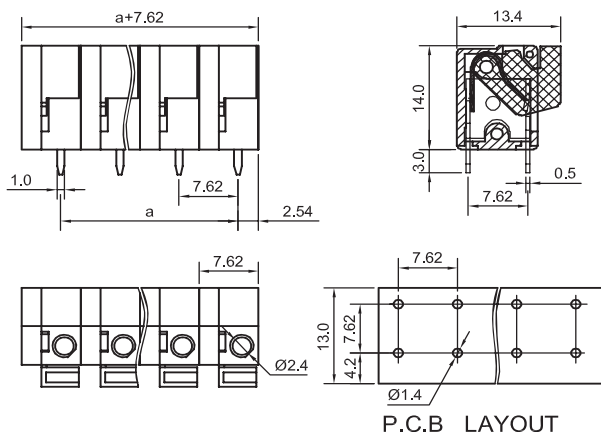
额定电压: 300V
 额定电流: 10A
 接触电阻: 20m Ω
 绝缘电阻: $>5000M\Omega$ DC500V
 耐电压: AC2000V/1Min
 使用线径: 22-14AWG 1.5mm²
 剥线长度: 6-7mm

Electrical

Rated voltage: 300V
 Rated current: 10A
 Contact resistance: 20m Ω
 Insulation resistance: $>5000M\Omega$ DC500V
 Withstanding voltage: AC2000V/1Min
 Wire range: 22-14AWG 1.5mm²
 Strip length: 6-7mm



YX122-762



Pitch: 7.62mm
 Poles: 2~16 poles
 Approval:

材质及电镀

弹片: 不锈钢
 插脚: 黄铜镀锡
 塑件: PA66, UL94V-0
 颜色: 绿色

Material

Wire protector: Stainless strip steel
 Contact: Brass, Tin Plated
 Housing: PA66, UL94V-0
 Color: Green

工作环境

操作温度: -40° ~ $+150^{\circ}$
 瞬间温度: $+250^{\circ}$ 5秒

Environmental

Operation temperature: -40° ~ $+150^{\circ}$
 Short-time temperature: $+250^{\circ}$ for 5 sec

电气规格

额定电压: 300V
 额定电流: 10A
 接触电阻: 20m Ω
 绝缘电阻: $>5000M\Omega$ DC500V
 耐电压: AC2000V/1Min
 使用线径: 22-14AWG 1.5mm²
 剥线长度: 6-7mm

Electrical

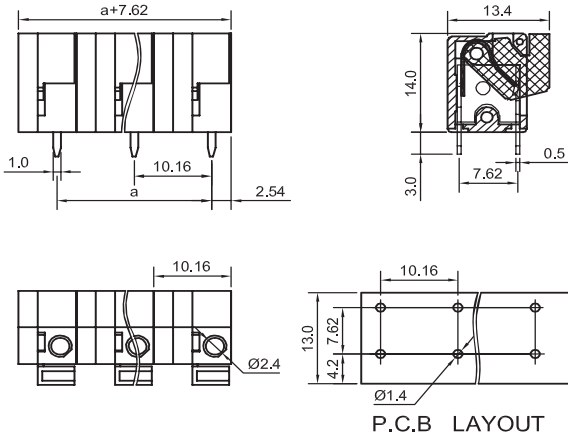
Rated voltage: 300V
 Rated current: 10A
 Contact resistance: 20m Ω
 Insulation resistance: $>5000M\Omega$ DC500V
 Withstanding voltage: AC2000V/1Min
 Wire range: 22-14AWG 1.5mm²
 Strip length: 6-7mm



YongXing Terminal Blocks



YX122-016



Pitch:10.16mm
Poles: 2~16 poles
Approval:

材质及电镀

弹片: 不锈钢
插脚: 黄铜镀锡
塑件: PA66, UL94V-0
颜色: 绿色

Material

Wire protector : Stainless strip steel
Contact : Brass,Tin Plated
Housing : PA66, UL94V-0
Color : Green

工作环境

操作温度: -40° ~ $+150^{\circ}$
瞬间温度: $+250^{\circ}$ 5秒

Environmental

Operation temperature : -40° ~ $+150^{\circ}$
Short-time temperature: $+250^{\circ}$ for 5 sec

电气规格

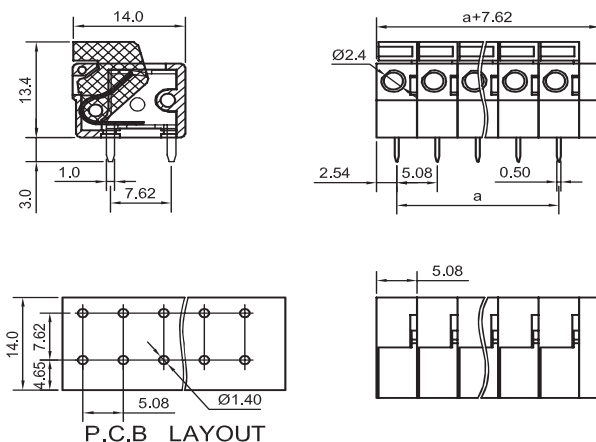
额定电压: 300V
额定电流: 10A
接触电阻: 20m Ω
绝缘电阻: $>5000M\Omega$ DC500V
耐电压: AC2000V/1Min
使用线径: 22~14AWG 1.5mm²
剥线长度: 6~7mm

Electrical

Rated voltage : 300V
Rated current : 10A
Contact resistance : 20m Ω
Insulation resistance : $>5000M\Omega$ DC500V
Withstanding voltage : AC2000V/1Min
Wire range : 22~14AWG 1.5mm²
Strip length : 6~7mm



YX222-508



Pitch:5.08mm
Poles: 2~16 poles
Approval:

材质及电镀

弹片: 不锈钢
插脚: 黄铜镀锡
塑件: PA66, UL94V-0
颜色: 绿色

Material

Wire protector : Stainless strip steel
Contact : Brass,Tin Plated
Housing : PA66, UL94V-0
Color : Green

工作环境

操作温度: -40° ~ $+150^{\circ}$
瞬间温度: $+250^{\circ}$ 5秒

Environmental

Operation temperature : -40° ~ $+150^{\circ}$
Short-time temperature: $+250^{\circ}$ for 5 sec

电气规格

额定电压: 300V
额定电流: 10A
接触电阻: 20m Ω
绝缘电阻: $>5000M\Omega$ DC500V
耐电压: AC2000V/1Min
使用线径: 22~14AWG 1.5mm²
剥线长度: 6~7mm

Electrical

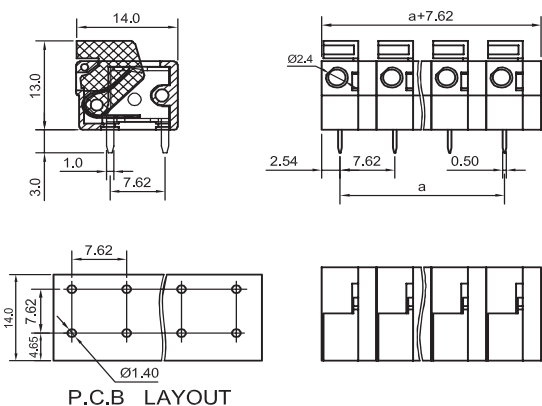
Rated voltage : 300V
Rated current : 10A
Contact resistance : 20m Ω
Insulation resistance : $>5000M\Omega$ DC500V
Withstanding voltage : AC2000V/1Min
Wire range : 22~14AWG 1.5mm²
Strip length : 6~7mm



YongXing Terminal Blocks



YX222-762



Pitch:7.62mm
Poles: 2~16 poles
Approval:

材质及电镀

弹片: 不锈钢
插脚: 黄铜镀锡
塑件: PA66, UL94V-0
颜色: 绿色

Material

Wire protector : Stainless strip steel
Contact : Brass, Tin Plated
Housing : PA66, UL94V-0
Color : Green

工作环境

操作温度: -40° ~ $+150^{\circ}$
瞬间温度: $+250^{\circ}$ 5秒

Environmental

Operation temperature : -40° ~ $+150^{\circ}$
Short-time temperature : $+250^{\circ}$ for 5 sec

电气规格

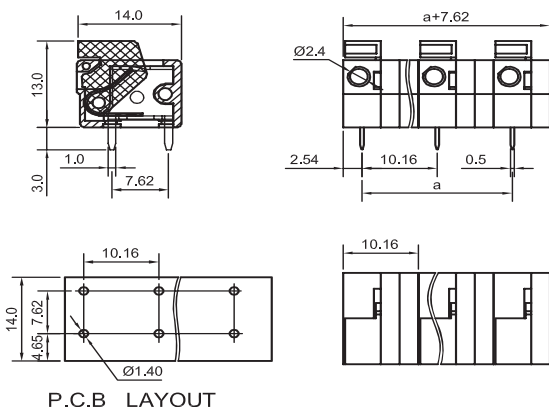
额定电压: 300V
额定电流: 10A
接触电阻: 20m Ω
绝缘电阻: $>5000M\Omega$ DC500V
耐电压: AC2000V/1Min
使用线径: 22-14AWG 1.5mm²
剥线长度: 6-7mm

Electrical

Rated voltage : 300V
Rated current : 10A
Contact resistance : 20m Ω
Insulation resistance : $>5000M\Omega$ DC500V
Withstanding voltage : AC2000V/1Min
Wire range : 22-14AWG 1.5mm²
Strip length : 6-7mm



YX222-016



Pitch:10.16mm
Poles: 2~16 poles
Approval:

材质及电镀

弹片: 不锈钢
插脚: 黄铜镀锡
塑件: PA66, UL94V-0
颜色: 绿色

Material

Wire protector : Stainless strip steel
Contact : Brass, Tin Plated
Housing : PA66, UL94V-0
Color : Green

工作环境

操作温度: -40° ~ $+150^{\circ}$
瞬间温度: $+250^{\circ}$ 5秒

Environmental

Operation temperature : -40° ~ $+150^{\circ}$
Short-time temperature : $+250^{\circ}$ for 5 sec

电气规格

额定电压: 300V
额定电流: 10A
接触电阻: 20m Ω
绝缘电阻: $>5000M\Omega$ DC500V
耐电压: AC2000V/1Min
使用线径: 22-14AWG 1.5mm²
剥线长度: 6-7mm

Electrical

Rated voltage : 300V
Rated current : 10A
Contact resistance : 20m Ω
Insulation resistance : $>5000M\Omega$ DC500V
Withstanding voltage : AC2000V/1Min
Wire range : 22-14AWG 1.5mm²
Strip length : 6-7mm



YongXing Terminal Blocks