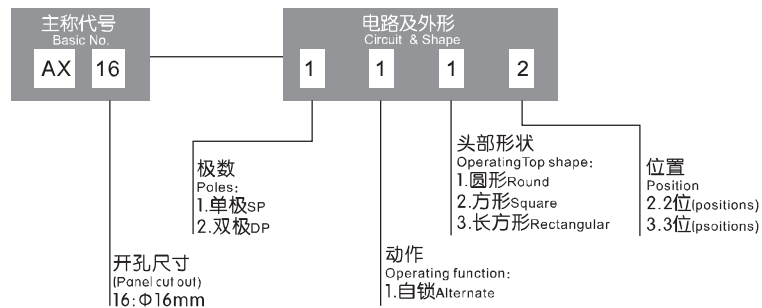




技术性能参数 SPECIFICATION

电气额定值 (阻性负载) Max. Rating Current & Voltage (Resistive Load)	3A 250V AC
接触电阻 (初始值) Contact Resistance	≤50mΩ
绝缘电阻 (常态) Insulation Resistance	≥100MΩ
耐压 (常态) Dielectric Strength	1,500V
电气寿命 (次) Electronic Life (cycles)	无锁:50,000 自锁:25,000 Momentary:50,000 Alternate:25,000
机械寿命 (次) Mechanical Life (cycles)	无锁:200,000 自锁:50,000 Momentary:200,000 Alternate:50,000
工作环境温度 Operating temperature	-25°C~+55°C
防护等级 IP code	IP40

型号命名规则 HOW TO ORDER



举例 Example: AX16-1112

AX16 位置及电路示意 Diagram of contact

位置 Position			
二位置 2 positions			
三位置双极双掷 3 positions			

可改变位置操作:

借助于前盖的旋转和销扣装置可改变操作器位置,每隔45° 前盖可以被锁住,安装在面板上时,可防止它自行转动.拉出前盖脱开锁,旋转前盖并在45° 间隔将前盖推入即可锁上前盖,如下图所示.

The position of operator is changable:

Taking use of front cover's relation and lock's position. It can change the position of operator. Every 45° interval, the front cover can be locked for refrain moving itself from installation. Pull the front cover out to deviate from the lock and then move the cover for 45° interval to push it on, Lock the covert at last.



常态
Normal



将前盖提起
Brought the cover

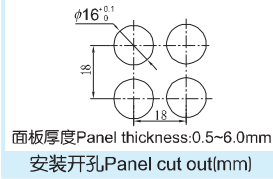
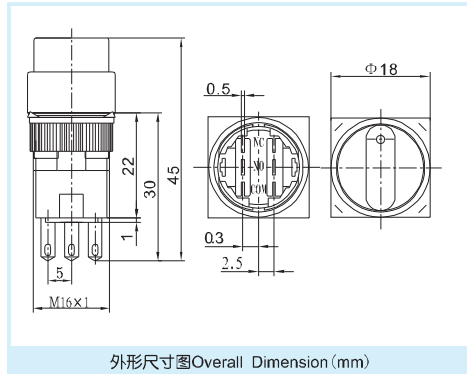


旋转45°
Rotation 45°



将前盖压下
Press the cover

AX16 圆形 Round



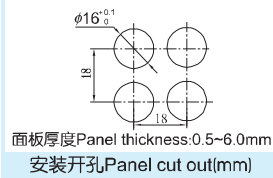
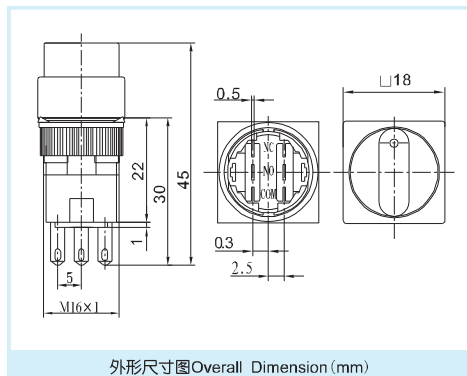
见1页位置及电路示意
Please refer to the first page
of the Diagram of contact

电路图Circuit

极数Poles	自锁二位Alternate 2P	自锁三位Alternate 3P
单极SP	AX16-1112	AX16-1113
双极DP	AX16-2112	AX16-2113

型号列表Model List

AX16 方形 Square



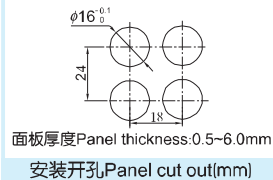
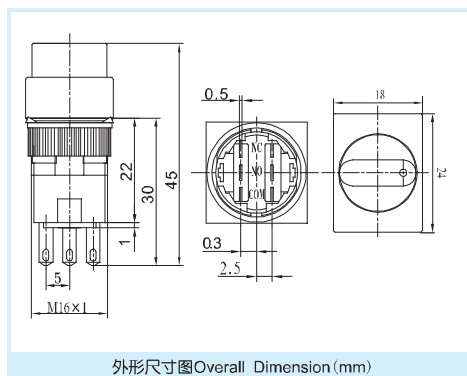
见1页位置及电路示意
Please refer to the first page
of the Diagram of contact

电路图Circuit

极数Poles	自锁二位Alternate 2P	自锁三位Alternate 3P
单极SP	AX16-1122	AX16-1123
双极DP	AX16-2122	AX16-2123P

型号列表Model List

AX16 长方形 Rec.



见1页位置及电路示意
Please refer to the first page
of the Diagram of contact

电路图Circuit

极数Poles	自锁二位Alternate 2P	自锁三位Alternate 3P
单极SP	AX16-1132	AX16-1133
双极DP	AX16-2132	AX16-2133

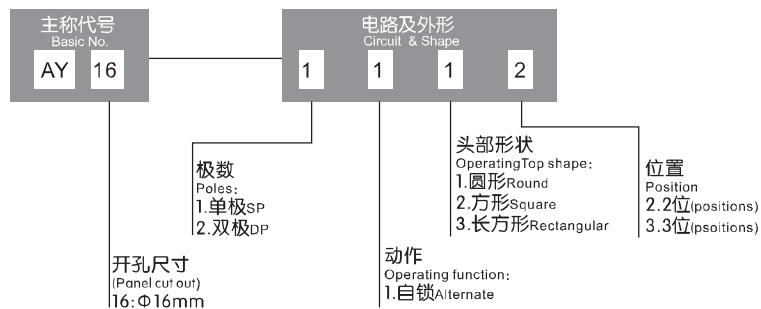
型号列表Model List



技术性能参数 SPECIFICATION

电气额定值 (阻性负载) Max. Rating Current & Voltage(Resistive Load)	3A 250V AC
接触电阻 (初始值) Contact Resistance	≤50mΩ
绝缘电阻 (常态) Insulation Resistance	≥100MΩ
耐压 (常态) Dielectric Strength	1,500V
电气寿命 (次) Electronic Life(cycles)	无锁:50,000 自锁:25,000 Momentary:50,000 Alternate:25,000
机械寿命 (次) Mechanical Life(cycles)	无锁:200,000 自锁:50,000 Momentary:200,000 Alternate:50,000
工作环境温度 Operating temperature	-25℃~+55℃
防护等级 IP code	IP40

型号命名规则 HOW TO ORDER



举例 Example: AY16-1112

AY16 位置及电路示意 Diagram of contact

位置 Position			
二位置 2 positions			
三位置双极双掷 3 positions			

可改变位置操作:

借助于前盖的旋转和销扣装置可改变操作器位置,每隔45° 前盖可以被锁住,安装在面板上时,可防止它自行转动.拉出前盖脱离开锁,旋转前盖并在45° 间隔将前盖推入即可锁上前盖.如下图所示.

The position of operator is changable:

Taking use of front cover's rotation and lock's position.It can change the position of operator.Every 45° interval, the front cover can be locked for refrain moving itself from installation. Pull the front cover out to deviate from the lock and then move the cover for 45° interval to push it on, Lock the cover at last.



常态
Normal



将前盖提起
Brought the cover

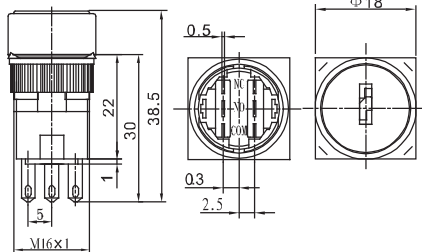


旋转45°
Rotation45°

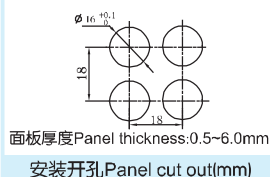


将前盖压下
Press the cover

AY16 圆形 Round



外形尺寸图 Overall Dimension (mm)



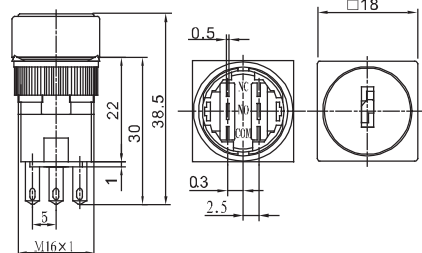
见1页位置及电路示意
Please refer to the first page
of the Diagram of contact

电路图 Circuit

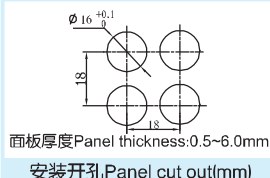
极数 Poles	自锁二位 Alternate 2P	自锁三位 Alternate 3P
单极 SP	AY16-1112	AY16-1113
双极 DP	AY16-2112	AY16-2113

型号列表 Model List

AY16 方形 Square



外形尺寸图 Overall Dimension (mm)



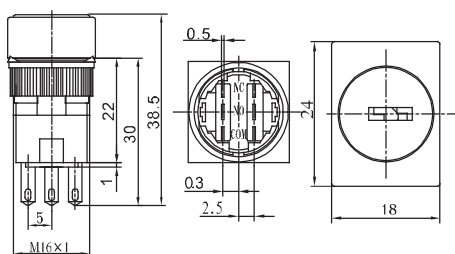
见1页位置及电路示意
Please refer to the first page
of the Diagram of contact

电路图 Circuit

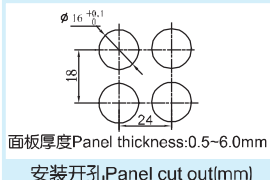
极数 Poles	自锁二位 Alternate 2P	自锁三位 Alternate 3P
单极 SP	AY16-1122	AY16-1123
双极 DP	AY16-2122	AY16-2123

型号列表 Model List

AY16 长方形 Rec.



外形尺寸图 Overall Dimension (mm)



见1页位置及电路示意
Please refer to the first page
of the Diagram of contact

电路图 Circuit

极数 Poles	自锁二位 Alternate 2P	自锁三位 Alternate 3P
单极 SP	AY16-1132	AY16-1133
双极 DP	AY16-2132	AY16-2133

型号列表 Model List